

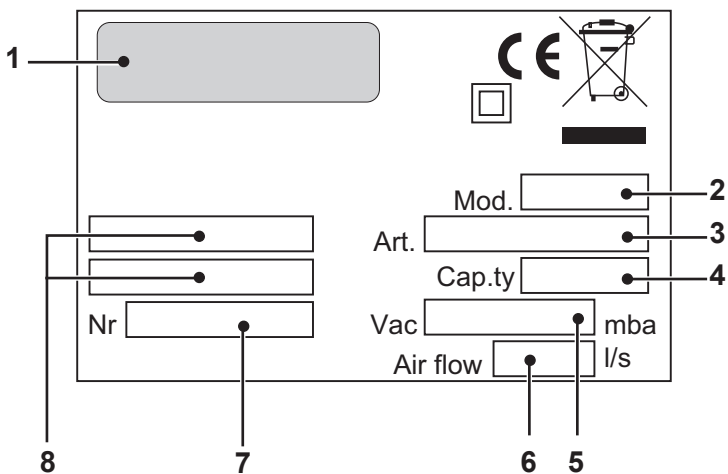
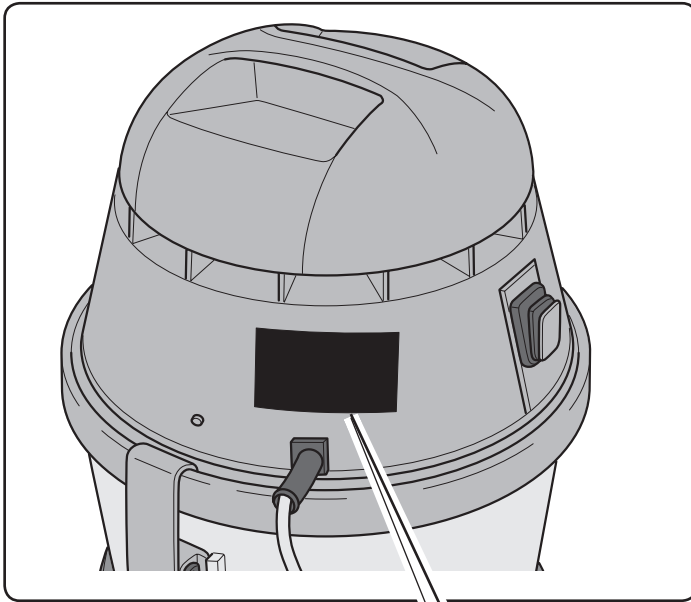


815 - 909 PLUS

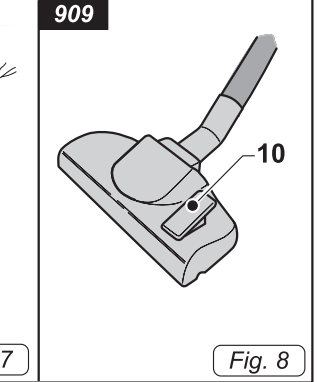
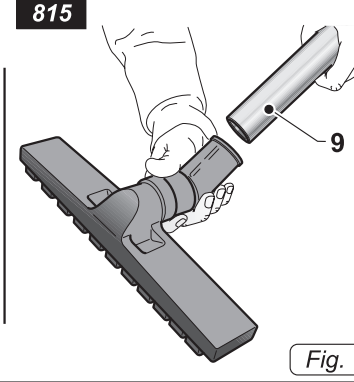
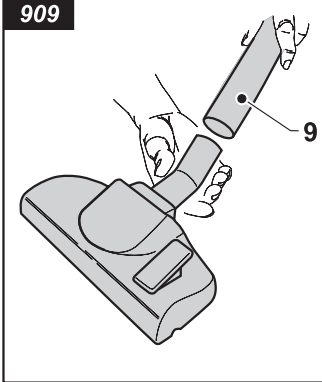
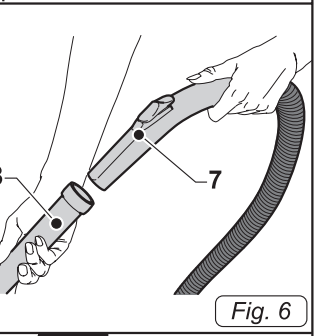
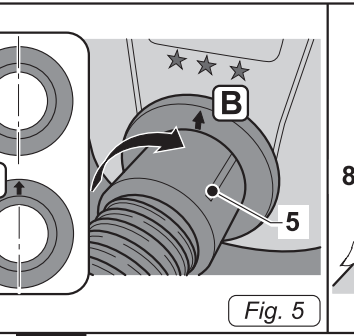
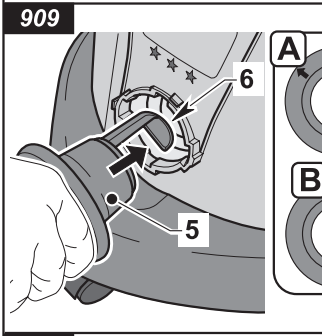
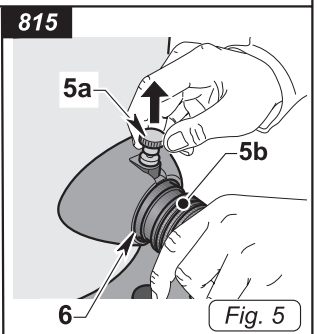
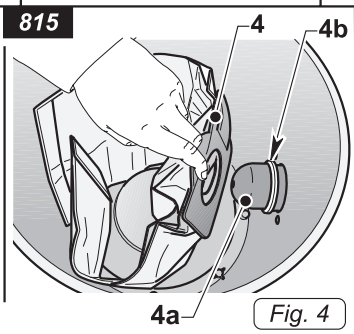
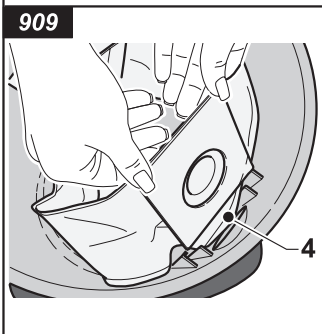
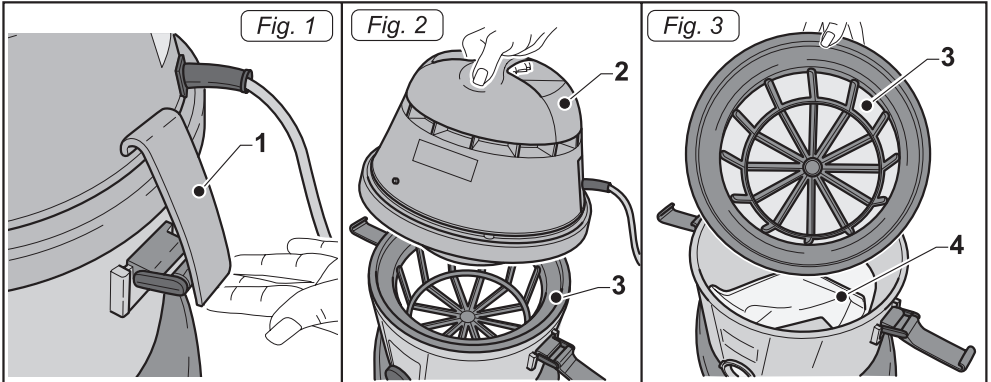
EN Use and Maintenance

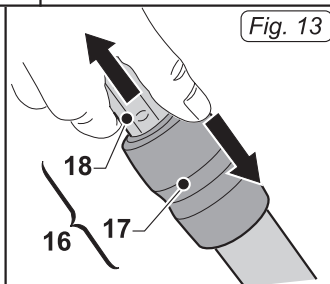
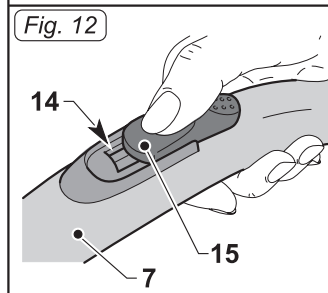
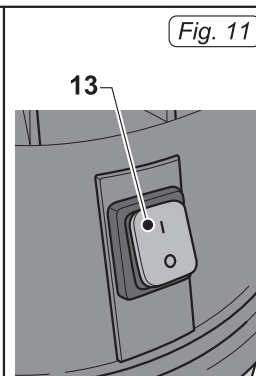
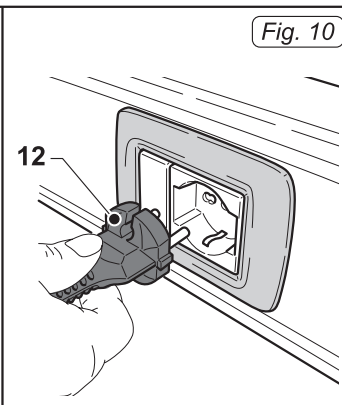
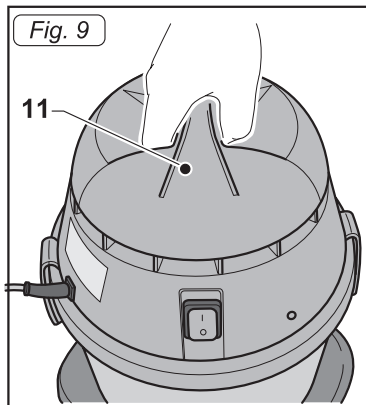
CE

GH-Heed
A&E-EGG

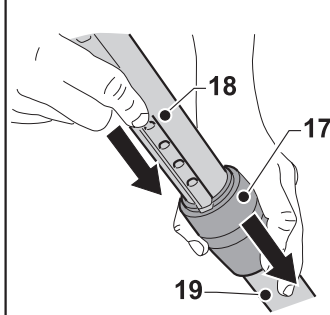
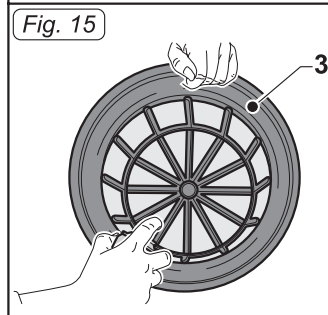
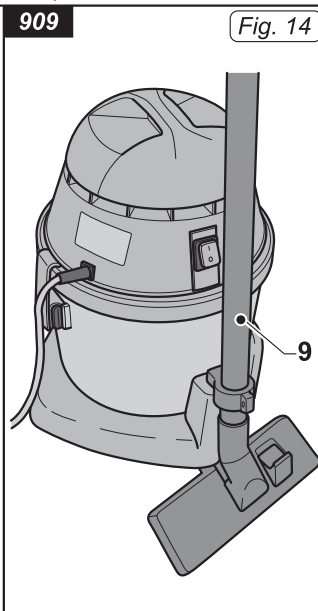


	1	2	3	4	5	6	7	8
IT	Produttore	Modello	Articolo	Capacità fusto	Capacità aspirazione	Portata d'aria	N° Matricola	Caratteristiche elettriche
EN	Manufacturer	Model	Article	Container capacity	Vacuum	Air flow	Serial N°	Electrical characteristics
FR	Producteur	Modèle	Article	Capacité de la cuve	Capacité d'aspiration	Débit d'air	N° Matricule	Caractéristiques électriques
DE	Hersteller	Modell	Artikel	Fassungsmögligen des Körpers	Ansaugleistung	Luftdurchsatz	Matr.Nr.	Elektrische Eigenschaften
ES	Fabricante	Modelo	Artículo	Capacidad del bidón	Capacidad de aspiración	Caudal de aire	N° Matricola	Características eléctricas
PT	Produtor	Modelo	Artigo	Capacidade do reservatório	Capacidade de aspiração	Caudal de ar	Número de série	Características eléctricas
NL	Producent	Model	Artikel	Inhoud reservoir	Zuigcapaciteit	Luchtoebiet	Serienummer	Elektrische eigenschappen
NO	Produsent	Modell	Artikkel	Beholderkapasitet	Sugekapasitet	Lufmengde	Matr.Nr.	Elektriske egenskaper
DK	Fabrikant	Model	Artikel	Beholdervolumen	Sugeeffekt	Lufmængde	Matr.Nr.	El-specifikationer
SV	Tillverkare	Modell	Artikel	Korgens kapacitet	Sugkapacitet	Luftflöde	Serienummer	Elektriska egenskaper
PL	Producent	Model	Artykuł	Pojemność zbiornika	Podciśnienie (mbar)	Przepływ powietrza	Nr. Fabryczny	Właściwości elektryczne
CS	Výrobce	Model	Typ	Obsah nádobý	Sací výkon	Množství dopravovaného vzduchu	Výrobní č.	Elektrické údaje
SK	Výrobca	Model	Výrobok	Objem nádobý	Sací výkon	Príetok vzduchu	Výrobné č.	Elektrické vlastnosti
TR	Üretici	Model	Ürün	Gövde kapasitesi	Aspirasyon kapasitesi	Hava Akışı	Seri No	Elektriksel Özellikler
HU	Gyártó	Modell	Clakk	A szár teljesítménye	Szívó teljesítmény	Levegőhozam	Torzskónyi szám	Elektromos sajátosságok
RO	Producător	Model	Articol	Capacitate rezervor	Capacitate aspirajie	Volum aer	Nr. Matricol	Caracteristici electrice
EL	Κατασκευαστής	Μοντέλο	Προϊόν	Χωρητικότητα κάδου	Ικανότητα αναρρόφησης	Ροή αέρα	Αρ. Μητρώου	Ηλεκτρικά χαρακτηριστικά
RU	Изготовитель	Модель	Артикул	Емкость бака	Мощность всасывания	Расход воздуха	Заводской №	Электрические характеристики
HR	Proizvođač	Model	Proizvod	Zapremnina spremnika	Usisni kapacitet	Protok zraka	Registracijski br.	Električna svojstva
SR	Proizvođač	Model	Proizvod	Kapacitet posolja	Kapacitet usisa	Nosivost vazduha	Br° Proizvoda	Električne karakteristike
BG	Производител	Модел	Артикул	Вместимост на резервоара	Кпацитет на засмукване	Въздушен поток	Серийен номер	Електрически характеристики
ET	Toojaja	Mudel	Artikkel	Paagi maht	Imemisvõimsus	Õhuvool	Seerianumber	Elektrilised omadused
FI	Vaimistaja	Malili	Artikkeli	Kapasiteetti tekojärvi	Kapasiteetti poisto	Virtaus ilma	Sarjanumero	Sähköiset ominaisuudet
LV	Rādītājs	Modelis	Raksts	Tvertnes tilpums	Sūkšanas jauda	Gaisa plūsma	Sērijas numurs	Elektriskie raksturlielumi
LT	Gaminiojas	Modelis	Štraipsnis	Bako talpa	Øsiurbimo galimybės	Evelės numeris	Eilės numeris	Elektrinės charakteristikos
SL	Proizvajalec	Model	Člen	Prostorina rezervoarja	Sesalna zmogljivost	Pretok zraka	Serijska številka	Električne značilnosti
AR	الصانع	النموذج	التابع	سعة الخزان	قدرة الشفط	تدفق الهواء	الرقم التسلسلي	المواصفات الكهربائية





909



EN

English ENGLISH - 1
(Translation of original instructions)

TECHNICAL CHARACTERISTICS

Voltage	220-240 V
Motor power	800 W (909) 800 W (815)
Sound level	62 dB(A) (909) 65dB(A) (815)
Negative pressure	210 mbar
Paper bag capacity	12 l
Dimensions	320 x 320 x 520H mm (909) 340 x 340 x 570H mm (815)
Weight	6 kg (909) 8 kg (815 Plastic) 9 kg (815 Stainless steel)
Accessories	Ø 32 mm (909) Ø 36 mm (815)

TYPE OF USE

Use this appliance only as a dry vacuum cleaner to suck up dust, crumbs etc. It has only been designed for this use.



DANGER:

The manufacturer can not be held responsible for any damage due to improper or incorrect use.

Any other use releases the manufacturer from liability for harm to persons and/ or property and invalidates any warranty condition.

IMPROPER USE

Do not use the appliance to:

- Suck up liquids of any kind;
- Suck up flammable, explosive, corrosive and/or toxic substances.
- Suck up hot substances.

Do not use the appliance in areas at risk of explosion.

PREPARING THE APPLIANCE

Checking the filter systems

- Release the levers (1 Fig. 1) and remove the cover (2 Fig. 2) complete with the motor unit.
- Remove the polyester filter (3 Fig. 3).
- Check that the paper bag (4 Fig. 3) is assembled inside the appliance.
- If the paper bag (4 Fig.3) is not present, mount it as follows:

909P

Insert the square cardboard rigid part into the slot on the drum.

815

Fit the paper bag (4 Fig.4) into the nozzle (4a Fig. 4) until passing the collar (4b Fig.4).

- Replace the polyester filter (3 Fig. 3).
- Replace the cover and lock it using the levers (1 Fig. 1).

Assembling the piping

909P

Insert the sleeve with bayonet coupling (5 Fig. 5) into the hole (6 Fig. 5), moving the arrow on the sleeve (5 Fig. 5) to position "A", then turn the sleeve clockwise until it locks (arrow in position "B").

815

Lift the knob (5a Fig. 5) and insert the sleeve (5b Fig. 5) in the hole (6 Fig. 5) until it can't go any further and then release the knob.

- Attach the extension (7 Fig.6) to the ergonomic handle (8 Fig.6).
- Attach the required accessory (suction tool, dusting brush, crevice tool, multi-purpose brush etc.) to the rigid extensions (9 Fig.7).

Multi-purpose brush (if present)

The multi-purpose brush should be used as follows:

- To clean hard floors, parquet etc.: press the lever (10 Fig.8) back to extract the brush bristles.
- To vacuum on carpets, rugs etc.: press the lever (10 Fig.8) forwards to retract the brush bristles.

USING THE APPLIANCE



N.B.

The appliance can only be used if the paper bag is inserted correctly.

- The appliance is equipped with wheels and during use can be dragged along using the hose.
- To lift it up, insert your fingers into the handle (11 Fig.9) on the top of the cover

Switching on the appliance

- Insert the plug (12 Fig.10) into the socket.
- Set the switch (13 Fig.11) to "I". The appliance starts up: the light on the switch comes on.



N.B.

The suction force can be adjusted using the selector (15 Fig.12) located on the ergonomic handle (7 Fig.12).

Opening up the window (14 Fig.12) gives lower suction power.

Using the telescopic tube (if present)

- The length of the telescopic tube (16 Fig. 13) can be adjusted as follows:
- To lengthen the tube, press down on the ring nut (17 Fig. 13) and simultaneously extract the top part (18 Fig. 13) of the tube. Once the required length has been obtained, release the ring nut (17 Fig. 13) the tube will lock into the nearest locking position;
- To shorten the telescopic tube, use one

hand to push the ring nut (17 Fig. 13) down and the other to reinsert the top tube (18 Fig. 13) into the lower sleeve (19 Fig. 13).

Switching off the appliance

- Set the switch (13 Fig.11) to "0" to switch off the appliance. The light on the switch goes off.
- Remove the plug (12 Fig.10) from the socket.
- **909P**
Couple the tube (9 Fig.14) to the joint.

CLEANING AND MAINTENANCE



DANGER:

Before performing any maintenance, unplug the appliance from the mains.

Removing and replacing the paper dust bag

- Release the levers (1 Fig. 1) and remove the cover (2 Fig. 2) complete with the motor.
- Remove the polyester filter (3 Fig. 3).
- Remove the paper dust bag (4 Fig. 3) and replace it as described previously.
- Reassemble everything proceeding in reverse order compared to assembly.

Checking and cleaning the polyester filter

- Release the levers (1 Fig. 1) and remove the cover (2 Fig. 2) complete with the motor.
- Remove the polyester filter (3 Fig. 3).
- Clean the filter (3 Fig. 15) from the inside out with a blast of air. The filter (3 Fig. 15) can be washed in warm water but must only be replaced when completely dry. If it is too dirty, replace it.
- Reassemble everything proceeding in reverse order compared to assembly.

Cleaning the appliance body

- Clean the appliance body using a cloth dampened with water or mild detergent.



DANGER:

Do not wash the appliance using jets of water.

SPARE PARTS

909P

Pack of 5 paper filter bags Code MK-042

815

Pack of 5 paper filter bags Code 01-385

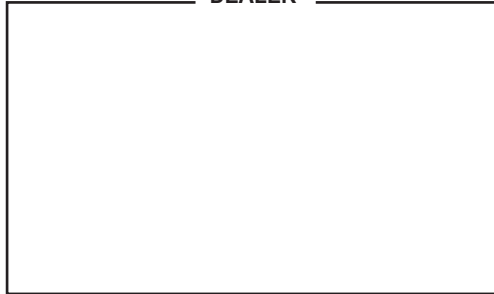
Polyester filter Code 20-214

PROBLEM	CAUSE	SOLUTION
The vacuum cleaner does not work.	Switch not pressed.	Press the switch.
	Not plugged in.	Insert the plug into the socket.
	No current.	Check the power line.
Suction is not satisfactory.	Paper bag full.	Replace the dust bag.
	Filter elements clogged.	Clean the filter elements.
	Accessories or tubes clogged.	Check and clean the hose and the suction tool.



Professional Cleaning Machines Since 1968

DEALER



Cod. GIBWIRBEL - 1^a ed. - € / 2022

GHIBLI & WIRBEL S.p.A.

Registered office:

Via Enrico Fermi, 43 - 37136 Verona (VR) - Italy

Headquarters:

Via Circonvallazione, 5 - 27020 Dorno (PV) - Italy

P. +39.0382.848811 - F. +39.0382.84668 - M. info@ghibliwirbel.com

www.ghibliwirbel.com

100% MADE IN ITALY



ISO 9001

