

C 143 L08

EN Use and Maintenance

CE

30-929
ed. 05/2022

IT**DATI IDENTIFICATIVI**

I dati identificativi e la marcatura "CE" della macchina sono posizionati sulla targhetta posta sul corpo macchina.

Si consiglia di trascrivere il modello della macchina e il relativo numero di matricola nella tabella riportata nella pagina seguente.

EN**IDENTIFICATION DATA**

The machine identification data and "CE" marking are located on the plate on the machine body.

It is advisable to note the machine model and serial number on the table on the next page.

FR**DONNÉES D'IDENTIFICATION**

Les données d'identification et le marquage « CE » de la machine se trouvent sur la plaque située sur le corps de la machine.

Nous vous conseillons de recopier le modèle de la machine et le numéro de matricule correspondant dans le tableau reporté sur la page suivante.

DE**KENNDATEN**

Die Maschinenkenndaten und die Aufprägung "CE" befinden sich auf dem Schild an der Maschine.

Wir empfehlen, das Maschinenmodell und die dazugehörige Seriennummer in die Tabelle auf der nachfolgenden Seite einzutragen.

ES**DATOS DE IDENTIFICACIÓN**

Los datos de identificación y la marca "CE" de la máquina están grabados en la placa colocada sobre la estructura de la máquina.

Se recomienda transcribir el modelo y el número de matrícula de la máquina en la tabla descrita en la siguiente página.

PT**DADOS IDENTIFICATIVOS**

Os dados identificativos e a marcação "CE" da máquina estão na placa colocada no corpo da máquina.

Aconselha-se transcrever o modelo da máquina e o relativo número de série na tabela referida na página seguinte.

NL**IDENTIFICATIEGEGEVENS**

De identificatiegegevens en de "CE"-markering van de machine bevinden zich op het plaatje dat op de machine is aangebracht.

We raden u aan het model en het serienummer van de machine in de tabel op de volgende pagina te vermelden.

CS

IDENTIFIKAČNÍ ÚDAJE

Identifikační údaje a označení stroje „CE“ jsou uvedeny na štítku umístěném na tělese stroje. Doporučujeme, abyste model stroje a jeho příslušné výrobní číslo přepsali do tabulky uvedené na následující straně.

RU

ИДЕНТИФИКАЦИОННЫЕ ДАННЫЕ

Идентификационные данные машины и маркировка «CE» находятся на табличке, установленной на корпусе машины.

Рекомендуется переписать модель машины и соответствующий паспортный номер в таблицу, приведенную на следующей странице.

PL

DANE IDENTYFIKACYJNE

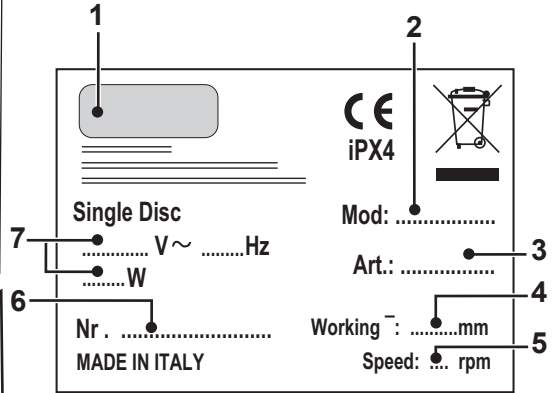
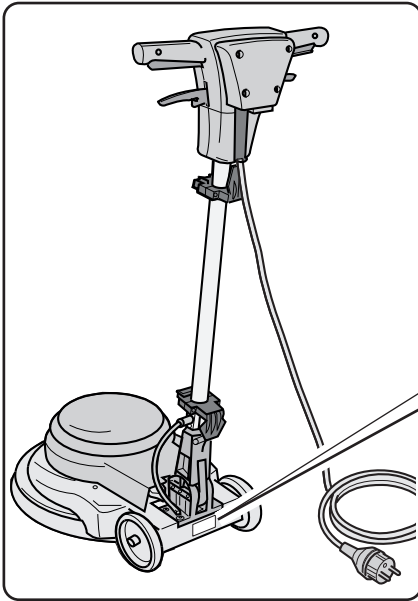
Dane identyfikacyjne i oznakowanie "CE" urządzenia umieszczone są na tabliczce znamionowej znajdującej się na korpusie urządzenia.

Zaleca się wpisać model i numer seryjny urządzenia do tabeli znajdującej się na kolejnej stronie.

AR

معلومات التعريف

إن معلومات التعريف وعلامة "سي إي" للألة موجودة غي لوحة التعريف على هيكل الألة. ينصح كتابة موديل الألة والرقم المتسلسل في الجدول المذكور في الصفحات الآتية.



	1	2	3	4	5	6	7
IT	Produttore	Modello	Codice articolo	Ø di lavoro	Velocità di rotazione	N° Matricola	Caratteristiche elettriche
EN	Manufacturer	Model	Article code	Working Ø	Rotation speed	Serial number	Electrical characteristics
FR	Producteur	Modèle	Code de l'article	Ø de travail	Vitesse de rotation	N° de Matricule	Caractéristiques électriques
DE	Hersteller	Modell	Artikelnummer	Ø Arbeit	Drehgeschwindigkeit	Serien-Nr.	Elektrische Eigenschaften
ES	Fabricante	Modelo	Código del artículo	Ø de trabajo	Velocidad de rotación	N° de Matrícula	Características eléctricas
PT	Fabricante	Modelo	Código do artigo	Ø de trabalho	Velocidade de rotação	N° de Série	Características elétricas
NL	Producent	Model	Artikelcode	Ø bewerking	Rotatiesnelheid	Serienummer	Elektrische eigenschappen
CS	Výrobce	Model	Kód výrobku	Pracovní Ø	Rychlost rotace	Výrobní č.	Elektrické vlastnosti
RU	Изготовитель	Модель	Код изделия	Рабочий Ø	Скорость вращения	N° Паспорта	Электрические характеристики
PL	Producent	Model	Kod artykułu	Ø pracy	Prędkość obrotów	Nr seryjny	Charakterystyka elektryczna
AR	الصانع	الموديل	الرمز	قطر العمل	سرعة الدوران	الرقم المتسلسل	المواصفات الكهربائية

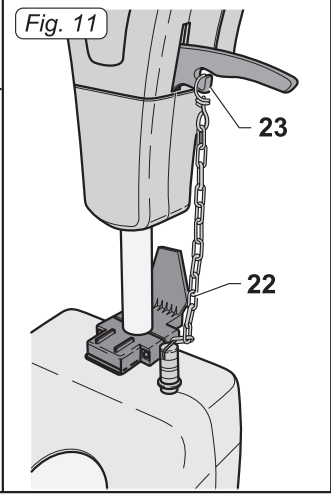
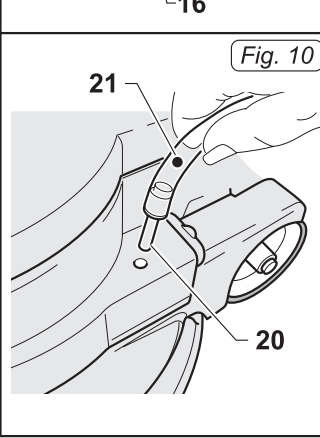
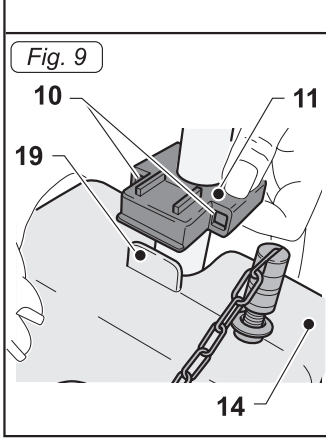
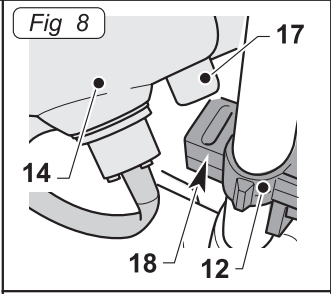
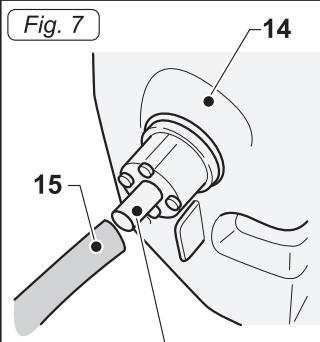
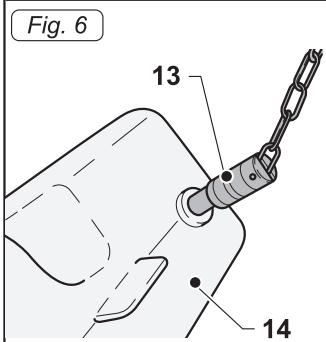
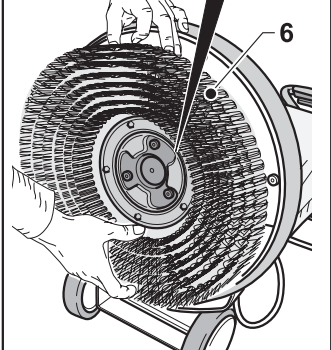
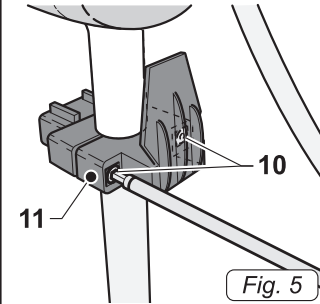
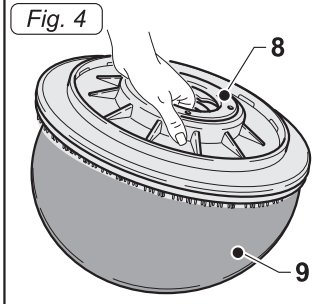
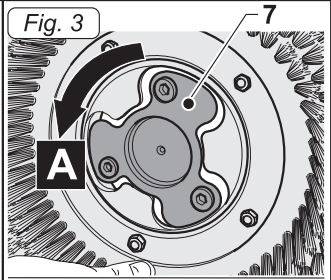
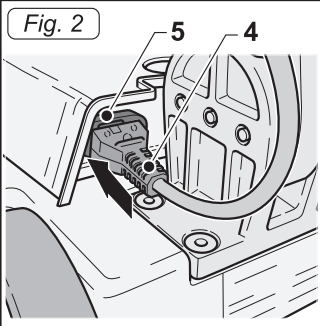
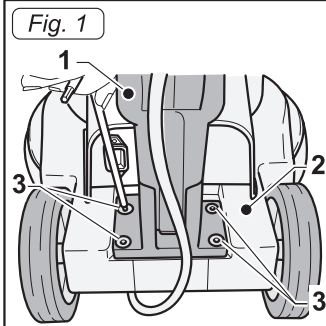


Fig 12

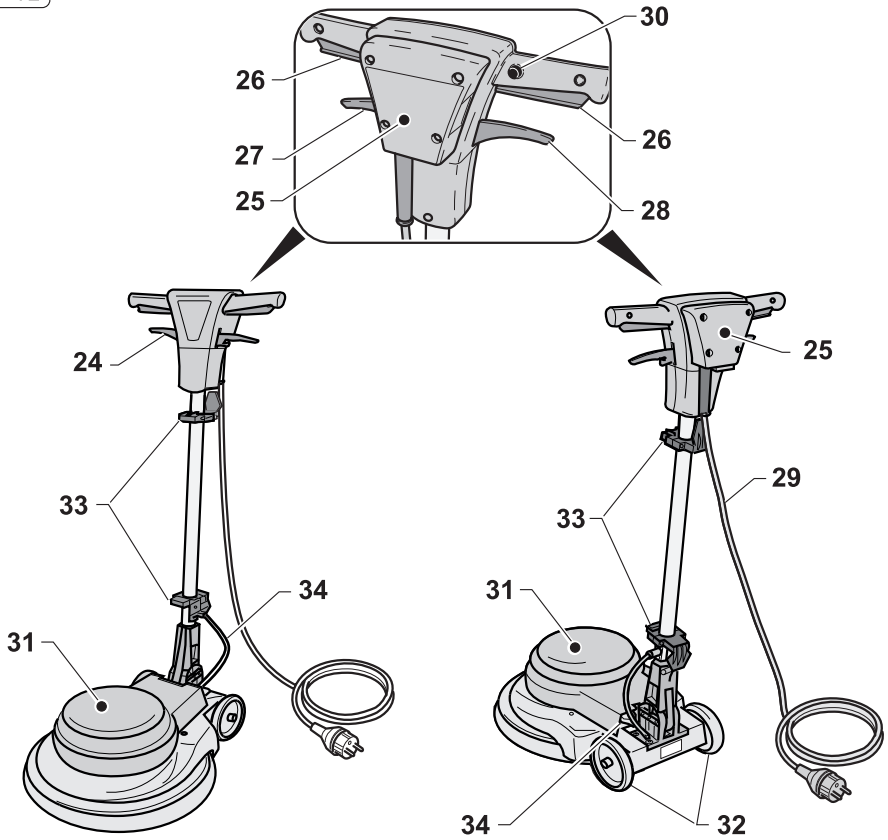


Fig. 13

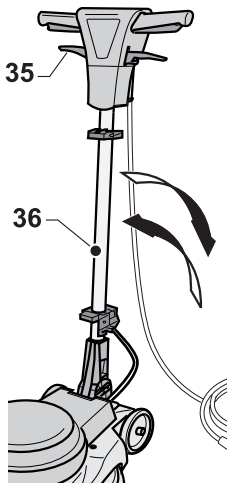


Fig. 14

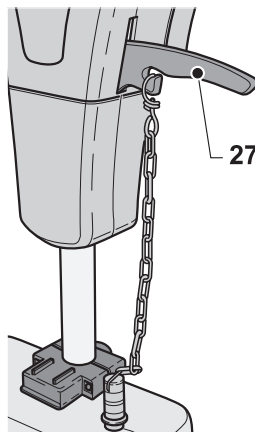
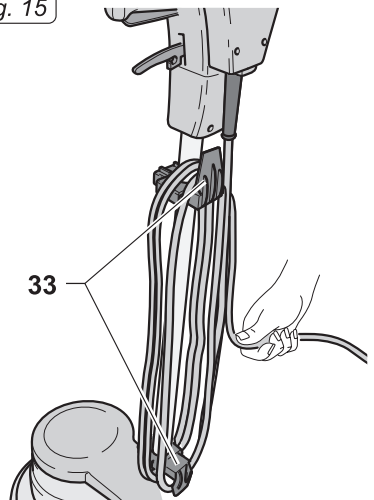


Fig. 15



<p>Caratteristiche tecniche - Technical features - Características técnicas - Características técnicas - Charakteristika technická - Charakteristické vlastnosti - Электрические характеристики - Charakterystyka techniczna - المواصفات الفنية</p>	<p>Tensione - Voltage - Tension - Spannung - Tension - Tensão - Spanning - Napětí - Напряжение - Napieće - الفولت</p>	<p>Frequenza - Frequency - Fréquence - Frequenz - Freüencia - Frequéncia - Freüentia - Freüencia - Частота - Częstotliwość - التردد</p>	<p>Potenza motore - Motor power - Puissance du moteur - Motorleistung - Potencia del motor - Poténcia do motor - Vermogen motor - Мощность двигателя - Moc silnika - اإسطاعة المحرك</p>	<p>Pista di lavoro - Working width - Piste de travail - Arbeitsebene - Banda de trabajo - Superficie de trabalho - Reünigungsbreite - Pracovní šířka - Рабочая полосо - مساحة العمل - Szerokość robocza</p>	<p>Velocità di rotazione - Rotation speed - Vitesse de rotation - Drehgeschwindigkeit - Velocidad de rotación - Velocidade de rotaço - Rotatiesnelheid - Rychnost rotace - Скорость вращения - Prędkość obrotowa - سرعة الدوران</p>
<p>Unità di misura - Units of measurement - Unidad de mesure - Messseinheit - Unidad de medida - Unidade de medida - Meeiteheid - Měrné jednotky - Единица измерения - Jednostka miary - وحدة القياس</p>	<p>V . B (فولت)</p>	<p>Hz - Гц (هرتز)</p>	<p>W - Вт (وات)</p>	<p>mm (مم)</p>	<p>giri/min. - rpm/min. - tr/min - omv / min - об/мин - obr / min (رقب/درا فيف كروب)</p>
<p>Peso senza accessori - Weight without accessories - Poids sans les accessoires - Gewicht ohne Zubehör - Peso sin accesorios - Peso sem acessórios - Gewicht zonder accessoires - Hmotnost bez příslušenství - Без без аксесуаров - Ciężar bez akcesoriów - الوزن بدون ملحقات</p>	<p>230</p>	<p>50 / 60</p>	<p>800</p>	<p>432</p>	<p>154 / 180</p>
<p>Unità di misura - Units of measurement - Unité de mesure - Messseinheit - Unidad de medida - Unidade de medida - Meeiteheid - Měrné jednotky - Единица измерения - Jednostka miary - وحدة القياس</p>	<p>Kg (كغ)</p>	<p>12</p>	<p><70</p>	<p><2,5</p>	<p>34,4</p>

Caratteristiche tecniche - Technische Eigenschaften - Características técnicas - Características técnicas - Technische Eigenschaften - Technische Eigenschaften - Caractéristiques techniques - Technische Eigenschaften - Электрические характеристики - Charakterystyka techniczna - المواصفات الفنية				
Tipo di trasmissione - Type of drive - Type de transmission - Antriebsart - Tipo de transmisión - Tipo de transmissão - Sort overbenging - Typ převodu - Тип трансмиссии - Typ napędu - Тип трансмиссии -	Dimensioni - Dimensions - Dimensions - Messungen - Dimensiones - Abmessungen - Rozměry - Wyimary - مقياسات	Presenza presa ausiliaria - Auxiliary socket - - Presence d'une prise auxiliaire - Zusatzsteckdose - Presencia toma auxiliar - - Presença de tomada auxiliar - Extra stopkontaktní zásuvka - Wybawieni pomocniczą złączką - Вспомогательная электрическая розетка - Obecność dodatkowego gniazdzka - رتبه: مقياس كهربائي	Grado di protezione - Protection rating - - Degré de protection - Schutzgrad - - Grado de protección - Grau de protecção - Beveiligingsgraad - Úroveň ochrany - Степень защиты - Stopień ochrony - قىرمانچا ائتمى - Stopień ochrony - Степень защиты	Capacità serbatoio (Optional) - Tank capacity (optional) - Capacidade do réservoir (en option) - Fassungsvermögen Tank (optional) - Capacitatea del tanque (opțional) - Capacidade do recipiente (Opção) - Tankinhoud (Optioneel) - Objem nádrže (volitelný) - Емкост бака (допущається) - - Przemysł: zbiornika (opcja) - مقياس التانك (اختياري)
Unità di misura - Units of measurement - - Unité de mesure - Messeinheit - Unidad de medida - Unidade de medida - - Mērvienība - Единица измерения - Jednostka miary - وحدة القياس	mm - mm - (±)	X / √	IP	I - II
	1200x542x425	X	IPX4	9
	Satelliti e planetario - Satellite planetary gears - satellites et planétaire - Planeten- und Seilrad - Satélites y planetarios - Engrenagem - satelite planetaria - Planetenwheelsysteme - Planetová redukční převodovka - Сателиты и планетарные передачи - Przekładnia planetarna - مازورگی			

EN

English ENGLISH - 1
(Translation of original instructions)

*Dear Customer,
Thank you for choosing one of our cleaning products.*

The floor cleaner you have purchased has been designed to satisfy users in terms of ease of use and reliability.

We are aware that, in order to remain so over time, a good product requires continuous updates aimed at satisfying the expectations of those who use it daily. To this end, we hope that you will be not only a satisfied customer but also a partner who does not hesitate to let us know your views and ideas resulting from personal experience on a day-to-day basis.

Contents

1.1 - INTRODUCTION.....	EN-3
1.2 - INTENDED USE OF THE MACHINE	EN-3
1.3 - NON-INTENDED USE OF THE MACHINE	EN-3
2.1 - COMPONENT ASSEMBLY	EN-3
2.1.a - Positioning the handle.....	EN-3
2.1.b - Electrical machine handle/body connection	EN-3
2.1.c - Assembling the brush	EN-3
2.1.d - Assembling the pad holder	EN-4
2.1.e - Assembling the tank (Optional).....	EN-4
2.1.f - Electrical connection	EN-4
3.1 - KNOWLEDGE OF THE MACHINE	EN-5
4.1 - ADJUSTING HANDLE TILT	EN-5
5.1 - GUIDE HANDLE.....	EN-5
6.1 - OPERATION	EN-5
6.1.a - Checks before use	EN-5
6.1.b - Starting the machine	EN-5
6.1.c - Using the machine	EN-6
6.1.d - End of use and turning off	EN-6
6.1.e - Transport	EN-6
7.1 - MAINTENANCE AND CLEANING	EN-7
7.1.a - Cleaning the machine	EN-7
7.1.b - Emptying and cleaning the water tank (optional)	EN-7
7.1.c - Replacing the brush	EN-7
7.1.d - Replacing the pad holder	EN-7
8.1 - PERMITTED ACCESSORIES	EN-8
TROUBLESHOOTING	EN-9

1.1 INTRODUCTION



DANGER:

Before using the appliance, read the accompanying **“SINGLE DISC SAFETY WARNINGS”** booklet carefully.

This manual forms an integral part of the machine itself. It must therefore be kept in a safe place where it is accessible to all users (operators and maintenance personnel) throughout the life of the machine until it is scrapped.

1.2 - INTENDED USE OF THE MACHINE

The machine has been designed and built: for cleaning floors and carpets, for polishing floors, for sanding floors (e.g. parquet and uneven surfaces).



DANGER:

Any other use releases the manufacturer from liability for harm to persons and/or property and invalidates any warranty condition.

1.3 - NON-INTENDED USE OF THE MACHINE



WARNING:

The machine is not intended for outdoor use.



DANGER:

- do not wash floors with water above 50 °C;
- do not use diesel/petrol or corrosive detergents to wash floors;
- do not wash and suck up corrosive, flammable or explosive liquids, even if diluted.

2.1 COMPONENT ASSEMBLY

2.1.a - Positioning the handle (Fig. 1)

- Place the handle (1) on the base (2), aligning the four holes on the handle with the holes on the machine body.
- Tighten the screws (3) provided.

2.1.b - Electrical machine handle/body connection (Fig. 2)

- Plug the handle into the machine body by putting the plug (4) into the machine socket (5).

2.1.c - Assembling the brush (Fig. 3)

- Tilt the machine, pivoting, with the handle straight, with your feet on the wheels and place it on the handle.
- Place the brush (6) on the base of the machine, fitting the appropriate butterfly coupling (7).
- Make a half turn in the direction of the arrow (A) to fit in the brush (6).
- Put the machine back in position.
- When rotation starts, the brush will end fitting.

To disassemble the brush, tilt machine and turn the brush (6) in the opposite direction to that shown by the arrow (A).



WARNING:

Use only the brushes provided by the manufacturer for the machine model as indicated in the PERMITTED ACCESSORIES table in this manual.

Using other types of brushes can compromise the safety of the machine.

2.1.d - Assembling the pad holder (Figs. 3-4)

- Tilt the machine, pivoting, with the handle straight, with your feet on the wheels and place it on the handle.
- Place the pad holder (8) on the pad (9) being careful to centre it properly to avoid unbalancing the rotation.
- Place the pad holder (8) complete with pad, on the base of the machine, fitting the appropriate butterfly coupling, as described in the "Assembling the brush" paragraph.

To disassemble the pad holder, tilt the machine and turn it in the opposite direction to that shown by the arrow (A).



WARNING:

Use only the pads provided by the manufacturer for the machine model as indicated in the **PERMITTED ACCESSORIES** table in this manual.

Using other types of pads can compromise the safety of the machine.

2.1.e - Assembling the tank (optional) (Figs. 5/11)

- Loosen the two screws (10) of the upper support (11) of the handle (Fig. 5).
- Make sure that the lower support (12) rests on the plate located on the handle rod (Fig. 8).
- Screw the chain (13) onto the top of the tank (14) (Fig. 6).
- Connect the tube (15) into the fitting (16) at the bottom of the tank (14) (Fig. 7).
- Place the tank (14) on the lower support (12), taking care to align the coupling tab (17) with its slot (18) (Fig. 8).
- Lower the upper coupling (11) and attach it to the coupling tab (19) on the top of the tank (14) (Fig. 9).
- Tighten the two screws (10) of the upper support (11) of the handle (Fig. 9).

- Connect the tube (20) fitting (21) to the hole on the machine body (Fig. 10).
- Attach the chain (22) to the hook (23) on the handle (Fig. 11).

2.1.f - Electrical connection

- Connect the machine power cable to a mains socket with characteristics corresponding to those shown on the machine's technical data plate.



WARNING:

- **Make sure the mains electrical system has a circuit breaker and is earthed.**
- **Unwind the power cable completely before operating the appliance.**
- **Use an extension cord only if in perfect condition and make sure the cross section is appropriate for the power of the appliance.**
- **Never allow the power cable to slide over sharp edges and do not crush it.**
- **The socket should be easily accessible.**
- **Make sure the power cable is not damaged.**

3.1 KNOWLEDGE OF THE MACHINE (Fig. 12)

- 24) Guide handle
- 25) Electric control box
- 26) Brush rotation start levers (on-off)
- 27) Water supply adjustment lever
- 28) Handle tilt lever
- 29) Power cable
- 30) Brush rotation lever release button
- 31) Machine body
- 32) Wheels
- 33) Supports
- 34) Electrical connection

4.1 ADJUSTING HANDLE TILT (Fig. 13)



WARNING:

The handle position must be adjusted while the appliance is at a standstill.

- By pulling the lever (35), it is possible to vary the position of the handle (36). When the lever is released, the handle is positioned and locked in the closest fixed position.



N.B.:

The correct position of the handle (36) during machine operation is at hip height.
Never start the machine without having tilted the handle correctly.

5.1 GUIDE HANDLE (Figs. 12 and 14)

1) Brush rotation lever release button (30) (Fig. 12)

Press the button (30) to release the brush rotation start levers (26).

2) Brush rotation start levers (26) (Fig. 12)

Pulling the brush rotation levers (26) enables brush rotation.

When the levers (26) are released, brush rotation stops and the machine comes to a halt automatically.

The levers (26) should be kept pulled to achieve continuous machine operation.

3) Water supply adjustment lever (27) (in the presence of an optional tank) (Fig. 14)

Pulling the lever (27) activates the water supply for washing the floor.

When the lever is released (27) the water supply is interrupted.

6.1 OPERATION

6.1.a - Checks before use

- If the tank (optional) is assembled, check that it contains enough washing liquid for the working phase and that the tubes are properly connected.
- Check the condition of the brush or pad. If worn, replace them.
- Check that the appliance, particularly the mains cable, is not damaged in any way that might compromise correct machine operation or operator safety.

6.1.b - Starting the machine (Fig. 12)



DANGER:

Ensure your hands are dry before using the appliance.

- Pull up the lever (28) and lower the handle until it reaches the height of the hips (maximum balance position).
- Press the button (30) to release the brush rotation start levers (26).
- Pulling the levers (26) starts the machine.
- When both levers (26) are released, the machine stops.



WARNING:

Never wrap the power cable around the neck or body of the machine.

6.1.c - Using the machine (Figs. 12 and 14)

- After starting the machine, begin cleaning by keeping the levers (26) pressed, thus keeping the machine running and brush rotation active.
- The machine must be used creating small arches with the operator in the middle.
- The traverse, which is the natural drift of the machine, is obtained by pressing or lifting the machine grip.
Pulling or lifting the grip slightly makes the machine move to the right.
Pressing or gently lowering the grip makes the machine move to the left.
Slightly twisting the right-hand side of the grip makes the machine move forward.
Slightly twisting the left-hand side of the grip makes the machine move backward.

**N.B.:**

Move the grip gently in order to achieve manageable machine movements.

- To keep the machine running at a certain point, simply hold the grip in the starting position.

**N.B.:**

Using the machine in a fixed position while the brushes are rotating for a prolonged time can cause damage to the floor.

- For machines equipped with an optional tank, adjust the water supply using the lever (27).

**N.B.:**

When the levers (26) are released, brush rotation stops and the machine is turned off.

6.1.d - End of use and turning off (Fig. 12-15)

- At the end of the cleaning, before turning off the machine, shut off the water supply.
- Release the levers (26) to stop brush rotation and turn off the machine (Fig. 12).
- Put the handle in an upright position.
- Remove the tank (optional) and empty any solution out of it.
- Remove the brush or pad holder after use.

**WARNING:**

Do not leave the machine at a standstill while the brush or pad holder are assembled to prevent them from being damaged.

- If the pad is dirty, wash it at a maximum temperature of 60 °.
- If the brush is dirty, wash it under running water.
- Unplug the power cable from the socket and wrap it around the cable reel supports.
- Unplug the power cable from the socket and wrap it around the cable reel supports (33) (Fig. 15).

6.1.e - Transport

Making sure that the mains plug is disconnected and the handle is in an upright position, lift the machine body by turning the handle downwards.

The machine can then be transported on the wheels.

7.1 MAINTENANCE AND

CLEANING



WARNING:

For information and warnings relating to maintenance or cleaning, follow what is described in the “Safety warnings for single disc” manual, accompanying this document.

OPERATIONS TO BE CARRIED OUT EVERY DAY

7.1.a - Cleaning the machine

Clean the machine with a damp cloth and then wipe it with a clean, dry cloth to prevent the formation of scale due to the effect of chemicals.



WARNING:

Do not use solvents, acids or corrosive substances for cleaning the machine.

7.1.b - Emptying and cleaning the water tank (optional)



WARNING:

Once you have finished washing, you must drain and clean the water tank to prevent deposits or scale.

To empty the water tank, release it from its supports.



WARNING:

Store the appliance in a dry, sheltered place.

OPERATIONS TO BE

CARRIED OUT AS REQUIRED

7.1.c - Replacing the brush

It becomes necessary to replace the brush due to wear when the bristles are less than 2 cm long or if it needs to be changed due to the type of floor to be washed. Refer to the “Assembling the brush” paragraph for instructions.

7.1.d - Replacing the pad holder

It becomes necessary to replace the pad holder due to wear when it is less than 10 mm high, or if it needs to be changed due to the type of floor to be polished or sanded. Refer to the “Assembling the pad holder” paragraph for instructions.

8.1 PERMITTED

ACCESSORIES

Code	Description
00-241	Washing brush
00-242	Polishing brush
00-243	Carpet brush
00-246	Tynex brush
00-240	Driving disc
00-230	9-litre tank

Pad

Code	Description
C17-BL	black 430Ø
C17-BR	brown 430Ø
C17-GR	green 430Ø
C17-RE	red 430Ø
C17-WH	white 430Ø

Twister Pad

Code	Description
T17-RE	red 430Ø
T17-WH	white 430Ø
T17-YE	yellow 430Ø
T17-GR	green 430Ø

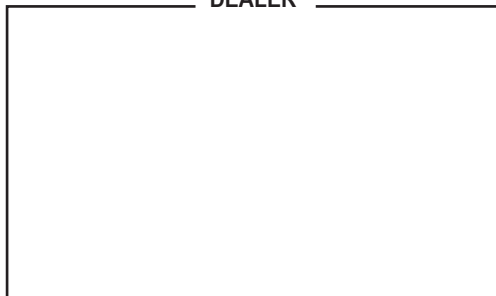
TROUBLESHOOTING

PROBLEM	CAUSE	SOLUTION
Although the lever release button and brush rotation levers are pressed at the same time, the machine does not start.	The appliance is unplugged.	Plug the appliance in.
The brush and/or pad holder do not rotate.	The brush/pad holder rotation lever is not pressed.	Press the lever.
	Presence of foreign bodies.	Remove any foreign bodies stuck in the appliance.
No water is released	The tank is empty.	Fill the tank.
	Water supply lever not pressed.	Press the lever.
Insufficient floor cleaning.	Unsuitable brushes or detergent.	Use brushes or detergents that are suitable for the type of floor or dirt to be cleaned.
	Insufficient detergent solution.	Fill the tank (optional) with detergent solution.
	Worn brush.	Replace the brush.
Insufficient floor polishing/sanding.	Pad worn.	Replace the pad.
The machine operates erratically or vibrates heavily.	Check that the brush or pad holder are assembled correctly.	Replace the brush or pad holder correctly.
	Check that the pad is perfectly centred in the pad holder.	Replace the pad, centring it correctly in the pad holder.
	The brush or pad holder are not suitable for the floor.	Use a brush or pad holder that is suitable for the type of surface and/or processing to be performed.



Professional Cleaning Machines Since 1968

DEALER



Cod. 30-929 - 6ª ed. - 05/2022

GHIBLI & WIRBEL S.p.A.

Registered office:

Via Enrico Fermi, 43 - 37136 Verona (VR) - Italy

Headquarters:

Via Circonvallazione, 5 - 27020 Dorno (PV) - Italy

P. +39.0382.848811 - **F.** +39.0382.84668 - **M.** info@ghibliwirbel.com

www.ghibliwirbel.com

100% MADE IN ITALY



ISO 9001

