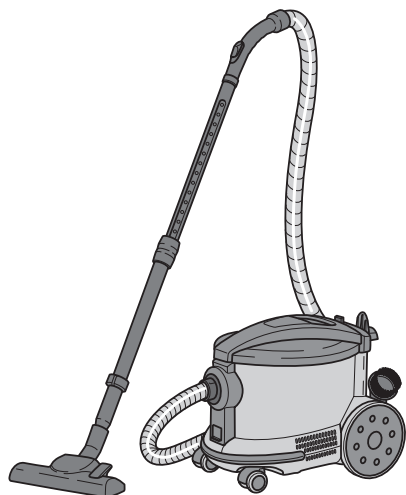


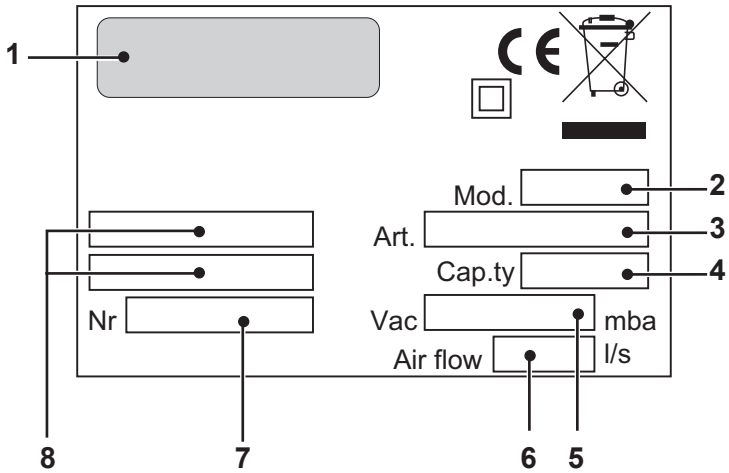
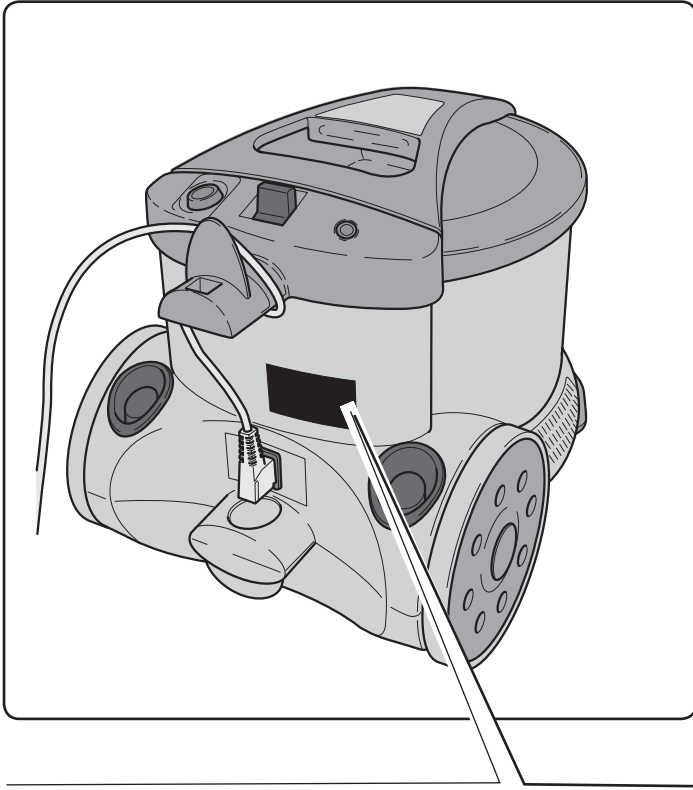
# POWER D 12 POWER D 12 HE



**EN** Use and Maintenance



8050816  
ed. 03/2022



	1	2	3	4
IT	Produttore	Modello	Articolo	Capacità fusto
EN	Manufacturer	Model	Article	Container capacity
FR	Producteur	Modèle	Article	Capacité de la cuve
DE	Hersteller	Modell	Artikel	Fassungsvermögen des Körpers
ES	Fabricante	Modelo	Artículo	Capacidad del bidón
PT	Produtor	Modelo	Artigo	Capacidade do reservatório
NL	Producent	Model	Artikel	Inhoud reservoir
CS	Výrobce	Model	Typ	Obsah nádoby
RU	Изготовитель	Модель	Артикул	Емкость бака
AR	الصانع	الطرز	النوع	سعة الخزان

	5	6	7	8
IT	Capacità aspirazione	Portata d'aria	N° Matricola	Caratteristiche elettriche
EN	Vacuum	Air flow	Serial N°	Electrical characteristics
FR	Capacité d'aspiration	Débit d'air	N° Matricule	Caractéristiques électriques
DE	Ansaugleistung	Luftdurchsatz	Matrikelnr.	Elektrische Eigenschaften
ES	Capacidad de aspiración	Caudal de aire	N° Matricola	Características eléctricas
PT	Capacidade de aspiração	Caudal de ar	Número de série	Características elétricas
NL	Zuigcapaciteit	Luchtdebiet	Serienummer	Elektrische eigenschappen
CS	Sací výkon	Množství dopravovaného vzduchu	Výrobní č.	Elektrické údaje
RU	Мощность всасывания	Расход воздуха	Заводской №	Электрические характеристики
AR	قدرة الشفط	تدفق الهواء	الرقم التسلسلي	المواصفات الكهربائية

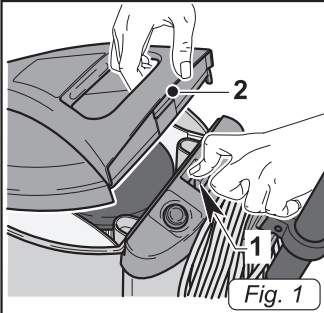


Fig. 1

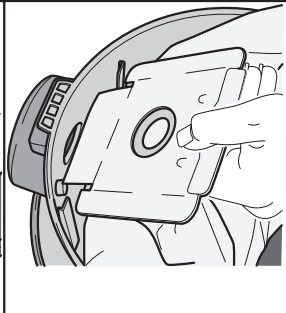


Fig. 2

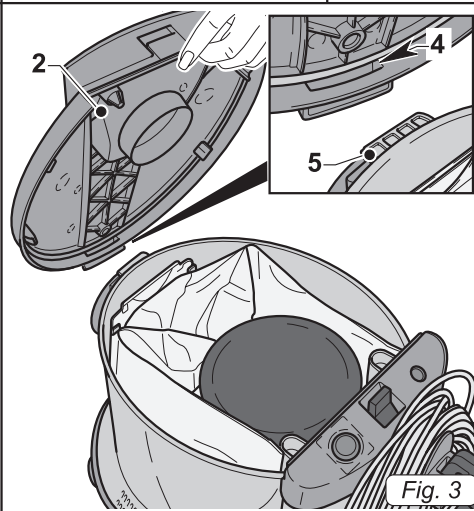


Fig. 3

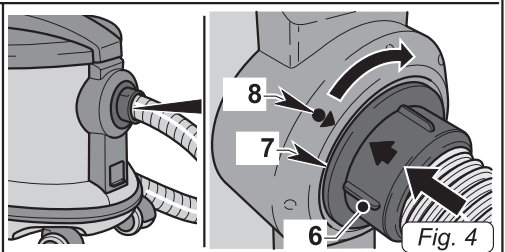


Fig. 4

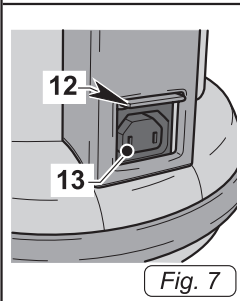


Fig. 7

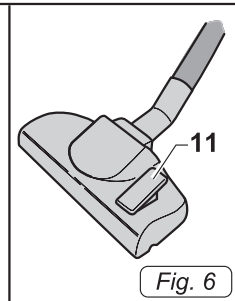


Fig. 6

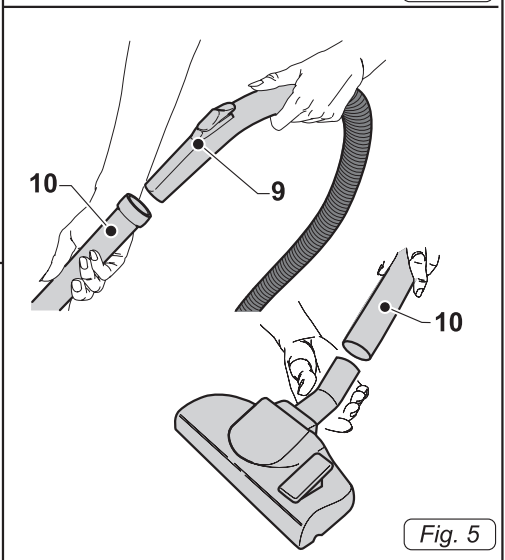


Fig. 5

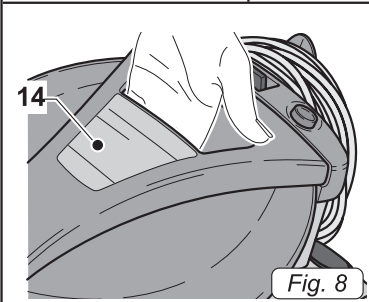


Fig. 8

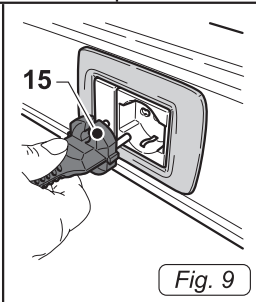


Fig. 9

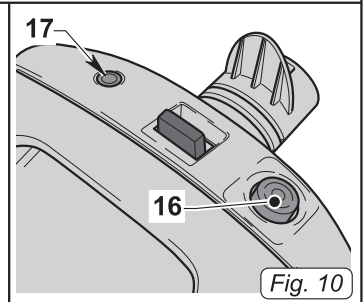
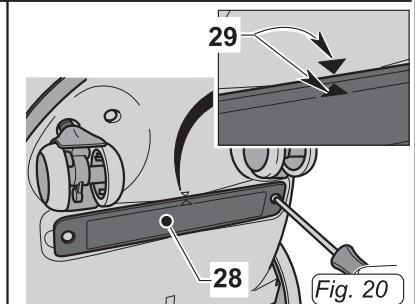
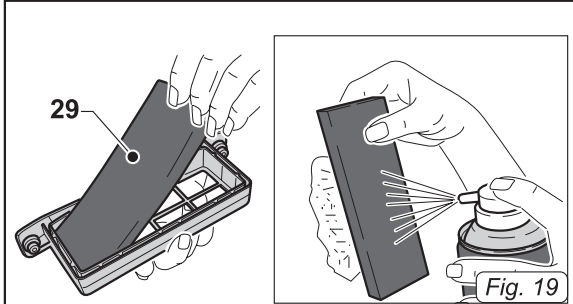
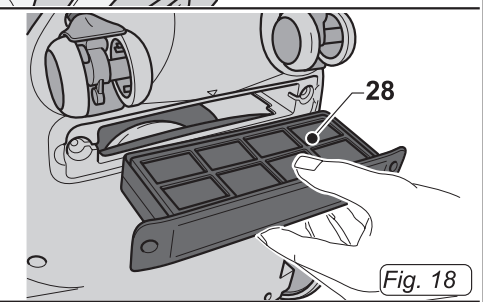
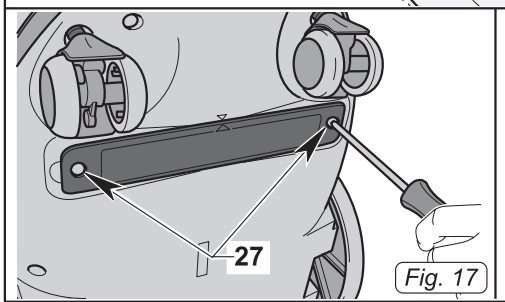
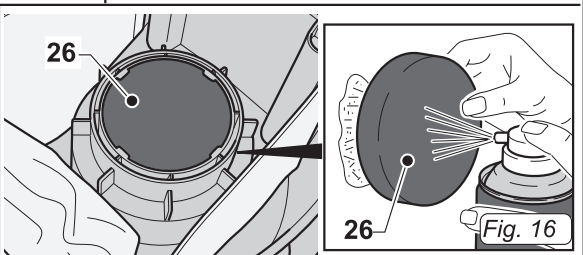
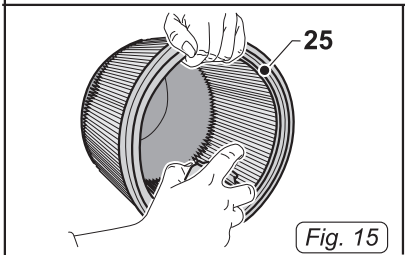
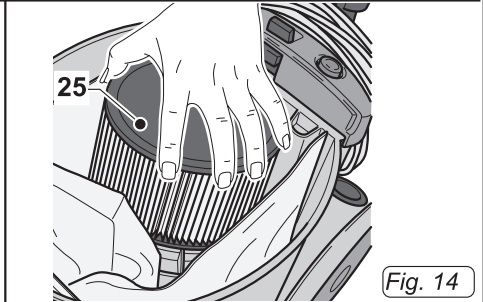
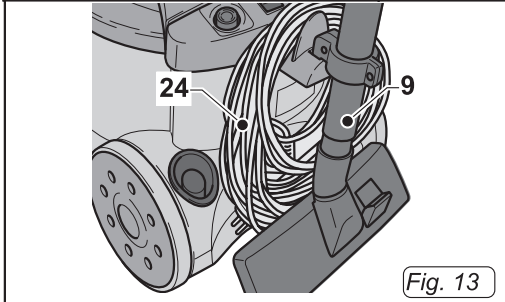
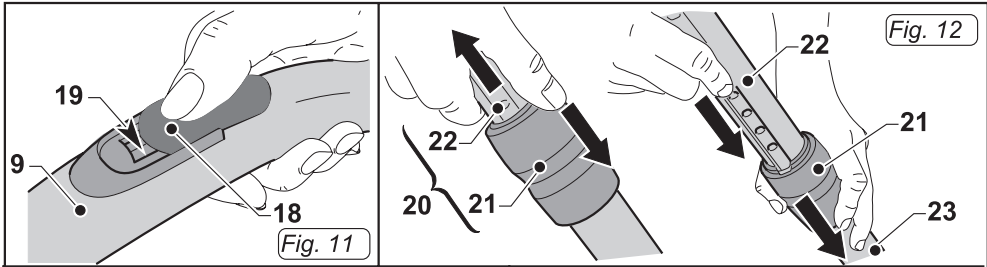


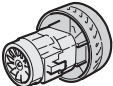
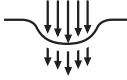
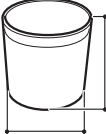




Fig. 10



MODELLO MODEL MODÈLE MODELL MODELO MODELO MODEL - MODEL МОДЕЛЬ - الطراز	CODICE CODE CODE KENNNR. CÓDIGO CÓDIGO CODE - KÓD الرمز - كود				
<b>D 12.1 HE</b>	15841210001 15848611950	220~240V	65 dbA	650 W	215 mbar
<b>D 12.1</b>	15841210002 15848611951		59 dbA	900 W	250 mbar
<b>D 12.1</b>	15841220001 15841220002 15848621950 15848621951		59 dbA	900 W	250 mbar

MODELLO MODEL MODÈLE MODELL MODELO MODELO MODEL - MODEL МОДЕЛЬ - الطراز	CODICE CODE CODE KENNNR. CÓDIGO CÓDIGO CODE - KÓD الرمز - كود			
<b>D 12.1 HE</b>	15841210001 15848611950	12 l	7 kg	32 mm
<b>D 12.1</b>	15841210002 15848611951	12 l	7 kg	32 mm
<b>D 12.1</b>	15841220001 15841220002 15848621950 15848621951	12 l	7 kg	36 mm



English ..... ENGLISH - 1  
*(Translation of original instructions)*





## INTRODUCTION



### DANGER:

Before using the appliance please read the booklet “**SAFETY INSTRUCTIONS FOR FANS**” attached to this.

This manual forms an integral part of the machine itself. It must therefore be kept in a safe place where it is accessible to all users (operators and maintenance personnel) throughout the life of the machine until it is scrapped.

## TYPE OF USE

Use this appliance only as a dry vacuum cleaner to suck up dust, crumbs etc. It has only been designed for this use.



### DANGER:

**The manufacturer can not be held responsible for any damage due to improper or incorrect use.**

**Any other use releases the manufacturer from liability for harm to persons and/or property and invalidates any warranty condition.**

## IMPROPER USE

Do not use the appliance to:

- Suck up liquids of any kind;
- Suck up flammable, explosive, corrosive and/or toxic substances.
- Suck up hot substances.

Do not use the appliance in areas at risk of explosion.

## PREPARING THE APPLIANCE

### Checking the filter systems

- Move the lever (1 Fig. 1) and remove the cover (2 Fig. 1).
- Check that the paper bag (3 Fig. 2) is assembled inside the appliance.
- If the paper bag (3 Fig. 2) is not present, assemble it by inserting the square cardboard stiffener into the slot on the drum.
- Replace the cover (2 Fig. 3), inserting the slot (4 Fig. 3) on the cover in the tab (5 Fig. 4) on the drum, then push it down until you hear it click into place.

### Assembling the piping

- Insert the sleeve with bayonet coupling (6 Fig. 4) into the hole (7 Fig. 4) on the drum, ensuring the arrow on the sleeve (6 Fig. 4) coincides with the arrow (8 Fig. 4) on the coupling ring nut, then turn the sleeve clockwise until it locks.
- Attach the hose extension (10 Fig. 5) to the ergonomic handle (9 Fig. 5).
- Attach the required accessory (suction tool, dusting brush, crevice tool, multi-purpose brush etc.) to the extension (10 Fig. 6).
- There are slots on the back of the appliance for positioning rigid extensions or accessories.

### Multi-purpose brush

The multi-purpose brush should be used as follows:

- To clean hard floors, parquet etc.: press the lever (11 Fig. 6) back to extract the brush bristles.
- To vacuum on carpets, rugs etc.: press the lever (11 Fig. 6) forwards to retract the brush bristles.

## Auxiliary power brush connection

The appliance is equipped with an auxiliary power brush connection (optional).

- Lift the flap (12 Fig. 7) to access the connection (13 Fig. 7).

## USING THE APPLIANCE



**N.B.**

The appliance can only be used if the paper bag is inserted correctly.

- The appliance is equipped with wheels and during use can be dragged along using the hose.
- To lift it up, insert your fingers into the handle (14 Fig. 8) on the top of the cover.

## Switching on the appliance

- Insert the plug (15 Fig. 9) into the socket.
- Press the switch (16 Fig. 10), which lights up, to switch the appliance on.
- When the light (17 Fig. 10) comes on, this indicates that the paper bag is full and must be replaced.



**N.B.**

The suction force can be adjusted using the selector (18 Fig. 11) located on the ergonomic handle (9 Fig. 11).

Opening up the window (19 Fig. 11) gives lower suction power.

## Using the telescopic tube (if present)

- The length of the telescopic tube (20 Fig. 12) can be adjusted as follows:
- To lengthen the tube, press down on the ring nut (21 Fig. 12) and simultaneously extract the top part (22 Fig. 12) of the tube. Once the required length has been obtained, release the ring nut (21 Fig. 12) the tube will lock into the nearest locking position;

- To shorten the telescopic tube, use one hand to push the ring nut (21 Fig. 12) down and the other to reinsert the top tube (22 Fig. 12) into the lower sleeve (23 Fig. 12).

## Switching off the appliance

- Press the switch (16 Fig. 10) to switch off the appliance.
- Remove the plug (15 Fig. 9) from the socket.
- Wind up the cable (24 Fig. 13) and hook it in position then couple the tube (9 Fig. 13) to the joint.

## CLEANING AND MAINTENANCE



### **DANGER:**

**Before performing any maintenance, unplug the appliance from the mains.**

### **Removing and replacing the paper dust bag**

- Move the lever (1 Fig. 1) and remove the cover (2 Fig. 1).
- Remove the suction hose by turning the sleeve (6 Fig. 4) in an anti-clockwise direction.
- Remove the paper dust bag (3 Fig. 2) and replace it as described previously.
- Reassemble everything proceeding in reverse order compared to assembly.

### **Checking and cleaning the cartridge filter**

- The filter cartridge (25 Fig. 14) is pressed into a special support. In order to remove it, it must be lifted up.
- Clean the filter (25 Fig. 15) from the inside out with a blast of air. If there is too much dirt, it must be replaced.
- Reassemble everything proceeding in reverse order compared to assembly.

### **Checking and cleaning the safety filter**

- Remove the filter cartridge (25 Fig. 14) then remove the filter (26 Fig. 16) and clean it with a blast of air.  
The filter can be washed in warm water and must only be replaced once it is completely dry. If it is too dirty, replace it.

### **Checking the air outlet filter**

- Turn the dry vacuum cleaner upside down, then unscrew the screws (27 Fig. 17) and remove the filter (28 Fig. 18).
- Remove the filter sponge (29 Fig. 19) from the frame and clean it with a blast of air.  
The filter sponge can be washed in warm water and must only be replaced once it is completely dry. If it is too dirty, replace it.
- Reassemble everything proceeding in reverse order compared to disassembly, positioning the filter (28 Fig. 20) correctly, ensuring the two arrows coincide (29 Fig. 20).

### **Cleaning the appliance body**

- Clean the appliance body using a cloth dampened with water or mild detergent.



### **DANGER:**

**Do not wash the appliance using jets of water.**

## SPARE PARTS

Pack of 10 paper filter bags.. Code 6582030  
Cartridge filter ..... Code 2512750  
HEPA filter ..... Code 2512755

<b>PROBLEM</b>	<b>CAUSE</b>	<b>SOLUTION</b>
The vacuum cleaner does not work.	Switch not pressed.	Press the switch.
	Not plugged in.	Insert the plug into the socket.
	No current.	Check the power line.
Suction is not satisfactory. (Orange light on).	Paper bag full.	Replace the dust bag.
	Filter elements clogged.	Clean the filter elements.
	Accessories or tubes clogged.	Check and clean the hose and the suction tool.







DEALER



Cod. 8060033 - 1<sup>^</sup> ed. - 03/2022

## GHIBLI & WIRBEL S.p.A.

Registered office:

Via Enrico Fermi, 43 - 37136 Verona (VR) - Italy

Headquarters:

Via Circonvallazione, 5 - 27020 Dorno (PV) - Italy

P. +39.0382.848811 - F. +39.0382.84668 - M. [info@ghibliwirbel.com](mailto:info@ghibliwirbel.com)

[www.ghibliwirbel.com](http://www.ghibliwirbel.com)

100% MADE IN ITALY



ISO 9001

