

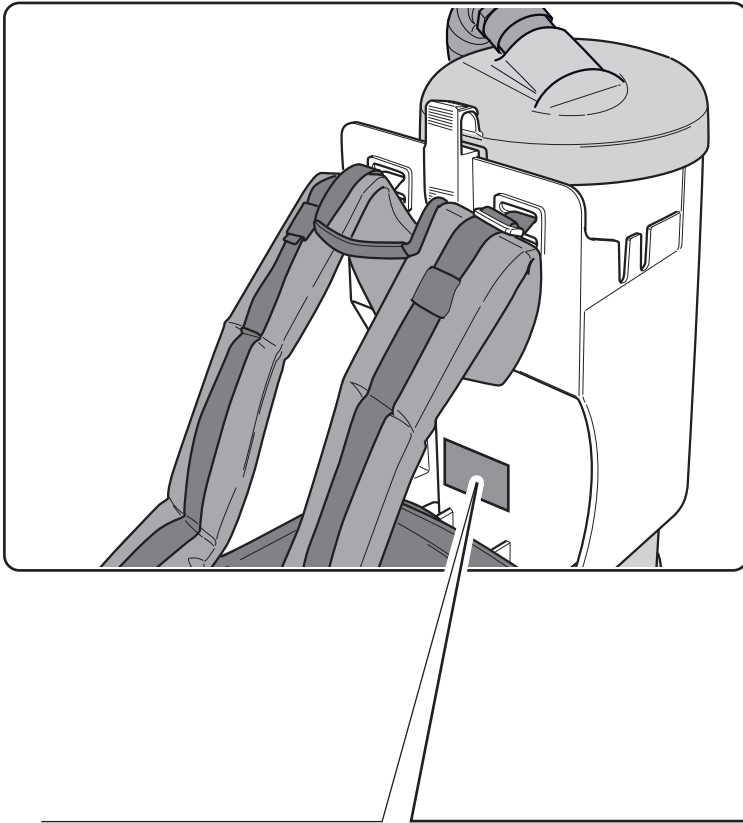
**W1 FLY**  
400Hz

**T1 FLY**  
400Hz

**EN Use and Maintenance**

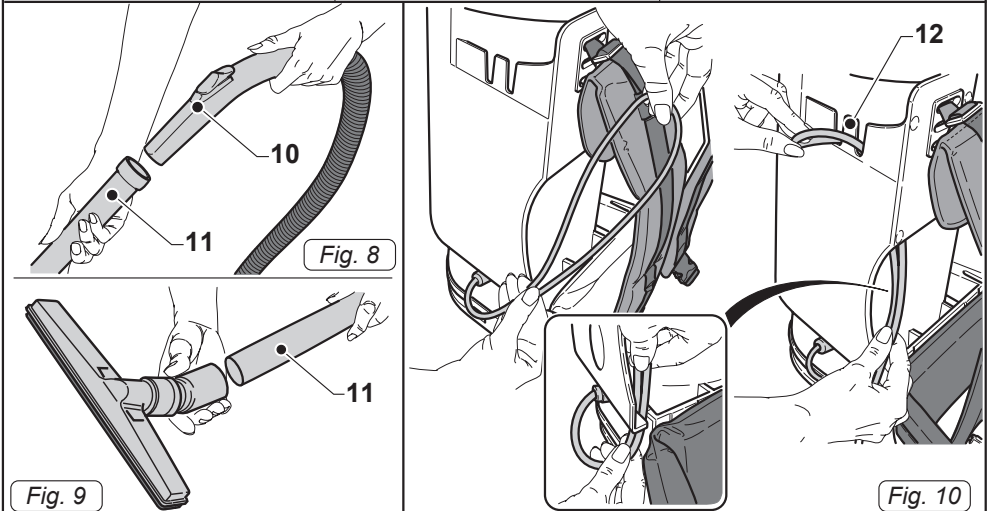
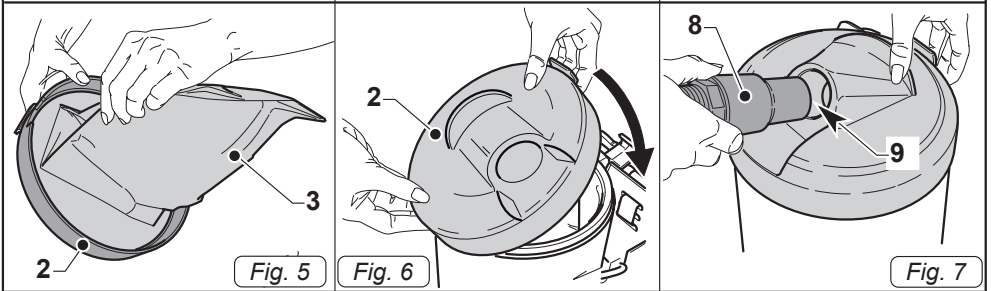
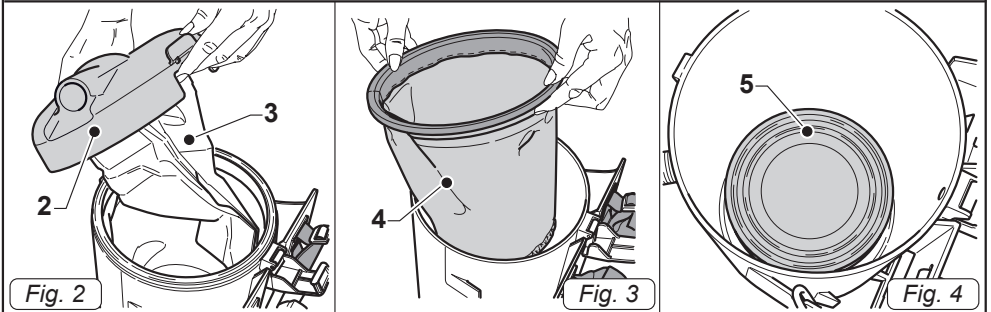
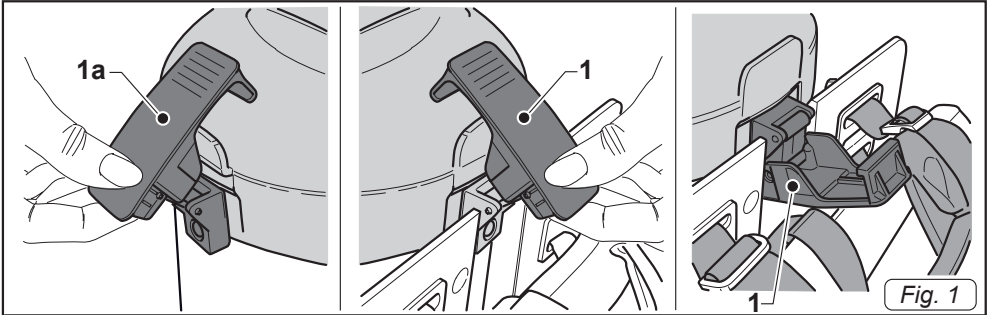


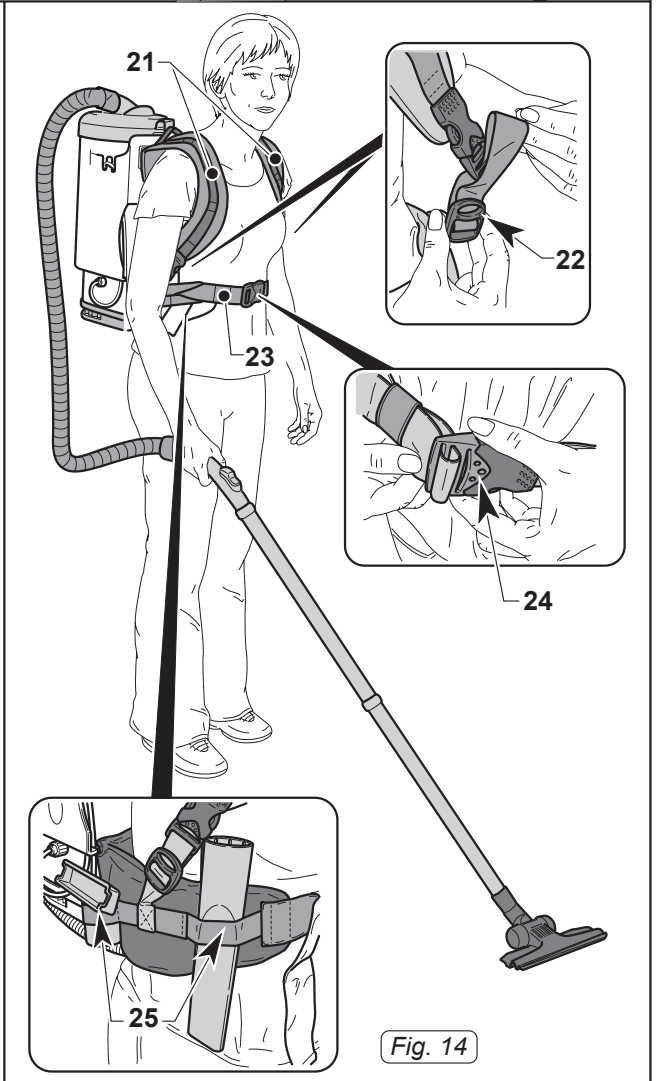
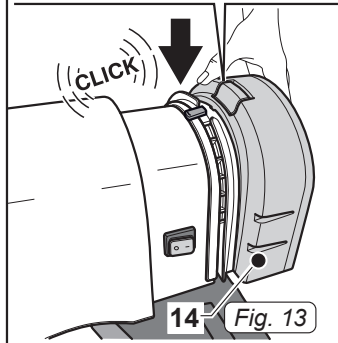
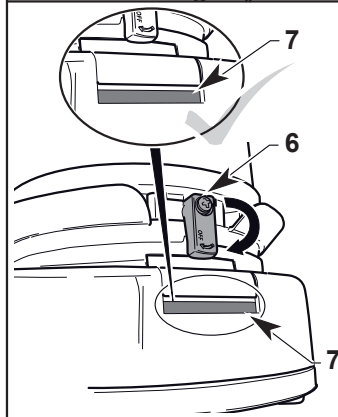
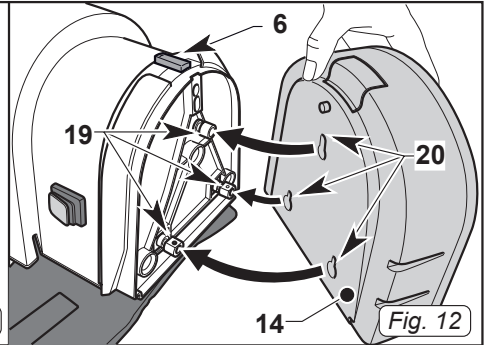
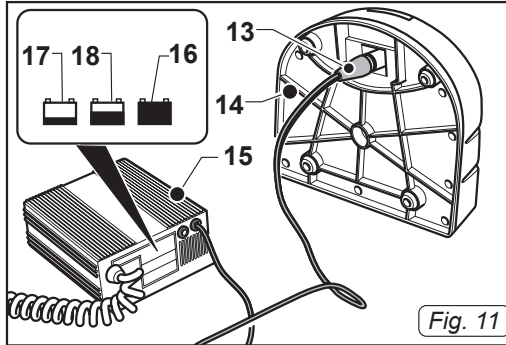
8050824  
ed. 09/2023

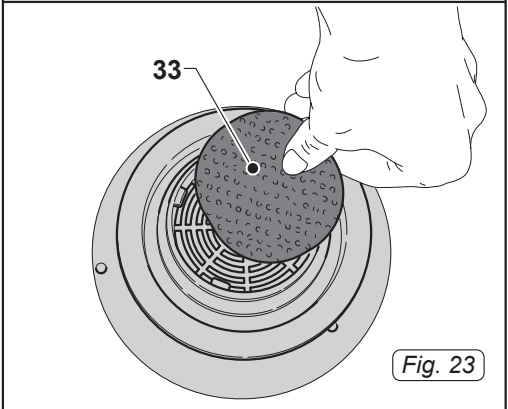
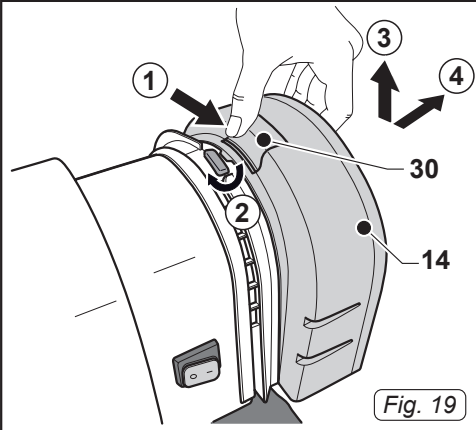
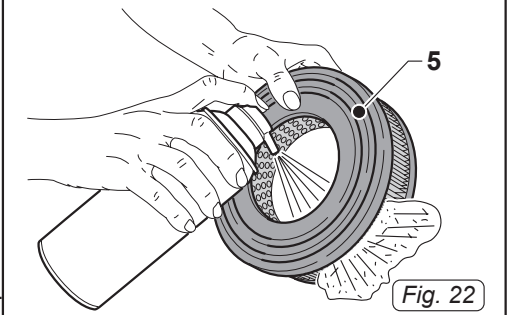
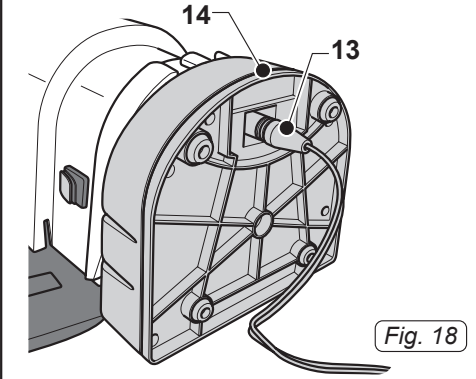
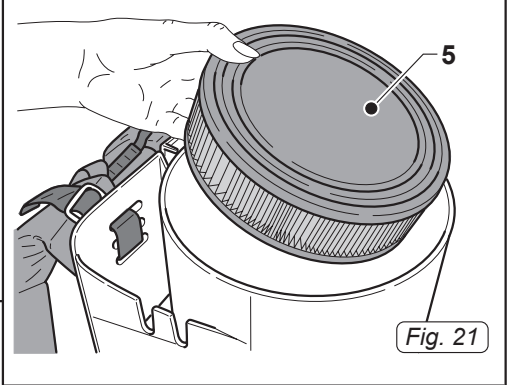
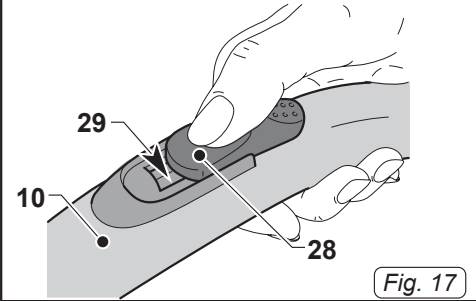
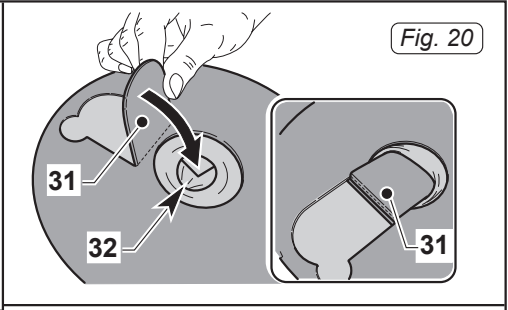
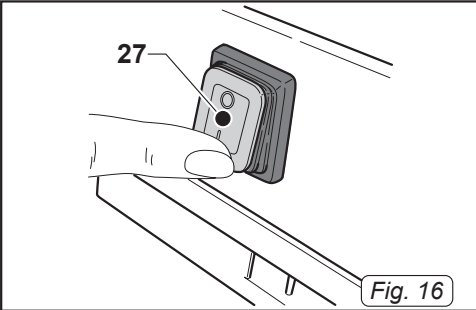


1		CE		
		<b>ERC</b>	MADE IN ITALY	
	Dry Vacuum Cleaner	Mod:	<input type="text"/>	2
	<input type="text"/>	Art.:	<input type="text"/>	3
9	<input type="text"/>	Year:	<input type="text"/>	
	Cap.ty: <input type="text"/>	Vac.:	<input type="text"/>	Air flow: <input type="text"/>
	Weight: <input type="text"/>	S/N:	<input type="text"/>	6
	4	7	5	8

1	2	3	4	5	6	7	8	9
IT	Produttore	Articolo	Capacità fusio	Capacità aspirazione	Portata d'aria	Peso macchina	N° Matricola	Caratteristiche elettriche
EN	Manufacturer	Article	Container capacity	Vacuum	Air flow	Machine weight	Serial N°	Electrical characteristics
FR	Producteur	Article	Capacité de la cuve	Capacité d'aspiration	Débit d'air	Poids machine	N° Matricule	Caractéristiques électriques
DE	Hersteller	Artikel	Fassungsvormögen des Körpers	Ansaugleistung	Luftdurchsatz	Maschinengewicht	Matr.Nr.	Elektrische Eigenschaften
ES	Fabricante	Artículo	Capacidad del bidón	Capacidad de aspiración	Caudal de aire	Peso de la máquina	N° Matricola	Características eléctricas
PT	Produtor	Artigo	Capacidade do reservatório	Capacidade de aspiração	Caudal de ar	Peso da máquina	Numero de série	Características eléctricas
NL	Producent	Artikel	Inhoud reservoir	Zuigcapaciteit	Luchtdebiet	Machine gewicht	Serienummer	Elektrische eigenschappen
NO	Produsent	Artikkel	Beholderkapasitet	Sugkapasitet	Luftmengde	Maskinvekt	Matrikkelnr.	Elektriske egenskaper
DK	Fabrikant	Artikel	Beholdervolumen	Sugeeffekt	Luftmængde	Maskinens vikt	Matrkelnummer	El-specifikationer
SV	Tillverkare	Artikel	Korgens kapacitet	Sugkapacitet	Luftflöde	Cyklar maszynty	Serienummer	Elektriska egenskaper
PL	Producent	Artykuł	Pojemność zbiornika	Podciśnienie (mbar)	Przepływ powietrza	Hmotnosť stroje	Nr. Fabryczny	Właściwości elektryczne
CS	Výrobce	Typ	Obsah nádoby	Sací výkon	Množství dopravovaného vzduchu	Hmotnosť stroja	Výrobní č.	Elektrické údaje
SK	Výrobca	Výrobok	Objem nádoby	Sací výkon	Priebek vzduchu	Hmotnosť stroja	Výrobné č.	Elektrické vlastnosti
TR	Üretici	Ürün	Gövde kapasitesi	Aspirasyon kapasitesi	Hava Akışı	Bir gep ağırlığı	Seri No	Elektriksel Özellikler
HU	Gyártó	Cikk	A szár teljesítménye	Szívó teljesítmény	Levegőhozam	Egy gep súlya	Törzskönyvi szám	Elektromos sajátosságok
RO	Producător	Articol	Capacitate rezervor	Capacitate aspirajie	Volum aer	Greutatea maşinii	Nr. Matricol	Caracteristici electrice
EL	Κατασκευαστής	Πρότυπο	Χωρητικότητα κάδου	Κωλύτητα αναρρόφησης	Ροπή αέρα	Βάρος μηχανής	Αρ. Μητρώου	Ηλεκτρικά χαρακτηριστικά
RU	Изготовитель	Модель	Емкость бака	Мощность всасывания	Расход воздуха	Вес машины	Заводской №	Электрические характеристики
HR	Proizvođač	Model	Zapremina spremnika	Usisni kapacitet	Protok zraka	Težina stroja	Registracijski br.	Električna svojstva
SR	Proizvođač	Model	Kapacitet postolja	Kapacitet usisa	Nosivost vazduha	Težina mašine	Br.° Proizvođa	Električne karakteristike
BG	Производител	Модел	Вместимост на резервоара	Капацитет на засмукване	Въздушен поток	Тегло на машината	Сериен номер	Електрически характеристики
ET	Tootja	Artikkel	Paeigi maht	Imemisvõimsus	Õhuvool	Mašina kaal	Seerialnumber	Elektrilised omadused
FI	Valmistaja	Malili	Kapasiteetti tekojärvi	Kapasiteetti poisto	Virtaus ilma	Koneen paino	Sarjanumero	Sähköiset ominaisuudet
LV	Ražotājs	Modelis	Tvermes tilpums	Sūkšanas jauda	Gaisa plūsma	Māšīnas svars	Sērijas numurs	Elektriskie raksturlielumi
LT	Gaminiojas	Modelis	Bako talpa	Øsiurbimo galimybës	Eiëlis numeris	Mašinos svoris	Eiëlis numeris	Elektrines charakteristikos
SL	Proizvajalec	Model	Prostorina rezervoarja	Sesaina zmogljivost	Pretok zraka	Teža stroja	Serijska številka	Elektrčne značilnosti
AR	مصنع	النموذج	سعة الخزان	قوة الشفط	تدفق الهواء	وزن الآلة	الرقم التسلسلي	المواصفات الكهربائية









English ..... ENGLISH - 1  
*(Translation of original instructions)*





## TECHNICAL FEATURES

### Direct supply model

Tension.....	115V - 400 Hz
Motor power.....	650 W
Noise level.....	60 dB(A)
Depression.....	165 mbar
Fleece bag capacity.....	3,3 l
Dimensions.....	240 x 495h x 202Ø mm
Weight.....	4,8 kg
Accessories.....	Ø 32 (36) mm

### Battery supply model

Tension.....	24 V
Battery voltage.....	220-240 V
Motor power.....	300 W
Noise level.....	54 dB(A)
Depression.....	125 mbar
Fleece bag capacity.....	3,3 l
Dimensions.....	240 x 580h x 202Ø mm
Weight.....	7,5 kg
Accessories.....	Ø 32 (36) mm

## ADDITIONAL SAFETY WARNINGS

### Battery

- Do not insert metal objects in the battery's contact wholes because it could cause a short-circuit between the poles.
- Do not leave your battery or device in the sun for several minutes.
- Warning! Use only original batteries, DO NOT manipulate the battery and DO NOT remove the seal.
- Make sure the batteries are not subject to shocks, the outer casing may break.

### Charger

- Use only the provided charger and no other type.  
Do not use the charger for charging other batteries; it could be damaged.
- Avoid damaging or crushing the charger cable during use.

- Never pull the charger by the cable.
- Extension cables must have a section equal or bigger than the cable.
- Never pull the cord to unplug the charger.

### Battery disposal

- Do not throw away in fire and/or do not dispose of batteries in the environment. Hand them to the collection centre , following the rules in force in the country of use.
- DO NOT dispose along with household waste.

## TYPE OF USE

Use this device only as a vacuum cleaner to suck up dust, crumbs, etc...  
The device has been designed only for this use.



### DANGER:

**The manufacturer can not be held responsible for any damage due to improper use. Any other use relieves the manufacturer from liability for damages to persons and/or property and invalidates any guarantees.**

## MISUSE

Do not use the unit for:

- Suctioning of liquids of any kind;
  - Vacuum flammable, explosive, corrosive, toxic substances.
  - Vacuum hot substances.
- Do not use the equipment in hazardous environments.

## PREPARATION OF EQUIPMENT

### Control filter systems

- Release the lever (1a/1 Fig. 1) and remove the cover (2 Fig. 2) completely, along with the fleece filter bag (3 Fig. 2).
- Remove the cloth dust bag (4 Fig. 3) and check that the cartridge filter (5 Fig. 4) is mounted inside the unit.
- Replace the filter cloth (4 Fig. 3), replace the paper bag (3 Fig. 5) on the cover (2 Fig. 5) and keeping it in position refit the cover (2 Fig. 6).
- Lock the lid by the handle (1a/1 Fig. 1)



#### **NOTE:**

The cover can be mounted with the output of the tube left or right according to the needs of the user.

### Assembling of pipes

- Insert the sleeve (8 Fig. 7) hose supplied in the air intake hole (9 Fig. 7).
- Attach the rigid extensions to the ergonomic handle (10 Fig. 8) of the hose (11 Fig. 8).
- Attach to the rigid extension (11 Fig. 9) the wanted accessory (suction nozzle, dusting brush, crevice tool, etc. ...)

### Placing electric cable

(for 115 V model)

- Form a ring with the with the electric cable and attach it to the support (12 Fig. 10) positioning it as shown in figure 10.

### Before recharging the batteries

(for Model 24 V)

Remove the charger and the battery from the pack.

- Plug the cable (13 Fig. 11) to the battery (14 Fig. 11).
- Connect the charger to the socket. (15 Fig. 11).



#### **NOTE:**

After connecting the power cable (15 Fig. 11) before connecting the cable (13 Fig. 11) to the battery (14 Fig. 11) the charger WON'T WORK.

- On the charger (15 Fig. 11) the „green“ led will blink twice (16 Fig. 11) indicating proper functioning;; then, the red led will turn on (17 Fig. 11) or the yellow one (18 Fig. 11) depending on the battery's condition.
- When the charger light turns greeb (16 Fig. 11) the batteries are charged.



#### **NOTE:**

Do not leave the cable (13 Fig. 11) connected to the battery with the network cable disconnected from the charger; the batteries may discharge and could be damaged.

### Installing the batteries

(for 24V model)

- Check if the switch (27 Fig. 16) is on position "0".
- Place the battery (14 Fig. 12) on the device by inserting the contacts (19 Fig. 12) in the wholes (20 Fig. 12).
- Press the battery (14 Fig. 13) down until you here a coupling „CLICK“.
- Make sure that the lever (6 Fig. 13) is facing down and that in the slot (7 fig. 13) appears the green color indicating the correct coupling.

## Positioning device on the shoulders

- Lift the unit and place it on your shoulders.
- Adjust the shoulder straps (21 Fig. 14) with the help of the buckles (22 Fig. 14).
- Adjust the belt (23 Fig. 14) using the buckle (24 Fig. 14).



### **NOTE:**

On the belt (23 Fig. 14) are positioned elastic tapes (25 Fig. 14) which serve for the positioning of accessories such as the dusting brush, for tight spaces, etc...

## USE OF EQUIPMENT

### Start-up of equipment

- Insert the plug (26 Fig. 15) in the socket (115V model only).
- Press the switch (27 Fig. 16) to "I" (the lamp lights switch only for the 115V model).



### **NOTE:**

You can adjust the suction force acting on the switch (28 Fig. 17), positioned on the ergonomic handle (10 Fig. 17).  
Opening the window (29 Fig. 17) lowers the suction force.



### **For the 24 V device, PLEASE NOTE:**

For a greater autonomy of the battery you must stop the power supply during transfers.

### Shutdown of the unit

- Press the switch (27 Fig. 16) to turn off the device (switch off the lamp, 115V model only).
- Remove the plug (26 Fig. 15) from the outlet (115 V model only).

## Charging the battery

If during use the devices switches off, it is necessary to recharge the batteries, acting as follows:

- Check if the switch (27 Fig. 16) is on position "0".



### **NOTE:**

You cannot charge the batteries while the device is on; there is a safety device which stops automatically the machine if you connect the charger to the battery.



### **NOTE:**

You can charge the batteries even though they aren't fully discharged without affecting the battery life.

- It is possible to connect directly the cable (13 Fig. 18) on the battery pack (14 Fig. 18) still mounted on the unit, or remove the battery pack (14 Fig. 19) by moving the safety lever (6 Fig. 13), pressing the release button (30 Fig. 19) and lifting the battery pack (14 Fig. 19) and then remove it towards outside.
- Connect the charger as described in the section "First battery charge".
- After charging the batteries, put them back as described above.



### **NOTE:**

Do not store the device after use, with the battery discharged. If necessary, recharge the battery.

For long storage periods of the device and battery, periodically check the battery charge status (15/30 days).

## CLEANING AND MAINTENANCE



### DANGER:

Before performing any maintenance work, remove the plug from the wall outlet or battery pack, depending on the model.

### Removal and replacement dust collector filter fleece

- Release the lever (1 Fig. 1) and remove the cover (2 Fig. 2) completely, along with the fleece filter bag (3 Fig. 2).
- Remove the fleece filter bag (3 Fig. 2) the dust collector from the cover (2 Fig. 2), pick up the tab (31 Fig. 20) and fold it into the hole (32 Fig. 20), fitting it on the rubber edge, then throw it.
- Replace the fleece filter bag and reassemble in the reverse order of removal.

### Control and cleaning of the cloth filter

- Release the lever (1 Fig. 1) and remove the cover (2 Fig. 2) along with the paper bag (3 Fig. 2).
- Remove the cloth dust bag (4 Fig. 3) and clean away the dust.



### NOTE:

The fabric filter (4 Fig. 3) can be washed with warm water and detergent taking into account that before re-use must be thoroughly dry.

- Reassemble everything in the reverse order of removal.

### Checking and cleaning of the filter cartridge

- Release the lever (1 Fig. 1), remove the cover (2 Fig. 2), the filter bag (3 Fig. 2) and the filter fabric (4 Fig. 3).
- Remove the filter (5 Fig. 21) from the unit.

- Clean the filter on the inside with a jet of air; if it's too dirty, it must be replaced.
- Reassemble everything in the reverse order of removal.

### Verification and cleaning of the safety filter

- Release the lever (1 Fig. 1), remove the cover (2 Fig. 2), the filter bag (3 Fig. 2) the fabric filter (4 Fig. 3) and the filter cartridge (5 Fig. 21).
- Remove the filter (33 Fig. 23) and clean it with running water.



### WARNING:

- **Ensure that the filter (33 Fig. 23) is completely dry before replacing.**
- Reassemble everything in the reverse order of removal.

### Cleaning of the shoulder straps and hip belt

- Wipe the shoulder straps (21 Fig. 14) and belt (23 Fig. 14) with a damp cloth with water or mild detergent.

### Cleaning of the unit body

- Clean the body of the appliance using a damp cloth with water or mild detergent.



### DANGER:

**Do not wash the unit with water jets.**

### Cleaning of electrical contacts

For battery powered devices check the contacts if are dirty (19 Fig. 12); eventually they will be cleaned with a suitable degreaser detergent.

## SPARE PARTS

Cloth Filter Cod. 6588010  
Hepa Cartridge filter Cod. 6588035  
Pack of 10 fleece filter bag Cod. 2512749

**Battery**  
Battery 24VDC 280Wh Cod. RIC.7589041

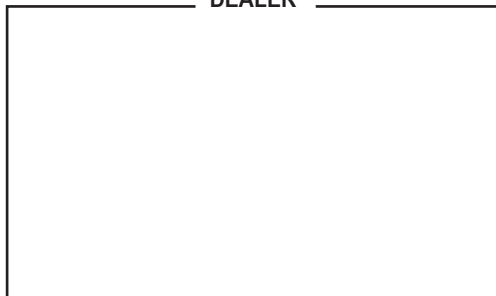
**Charger**  
Charger 10A Cod. 7501194

PROBLEM	CAUSE	SOLUTION
Vacuum cleaner does not work (for 115V model).	Switch is not pressed.	Press the switch.
	Device is not plugged in.	Insert the plug into the socket.
	Lack of electricity.	Check power line.
Vacuum cleaner does not work (for 24V model).	Discharged battery.	Recharge the battery.
	The battery is not inserted correctly.	Check of battery is inserted correctly.
	Battery exhausted.	Replace the battery.
	Charger not working.	The charger must be checked by a specialist.
The intake is not satisfactory (for 115V model and 24V model).	Paper bag is full.	Replace dust collection bag.
	Filter elements are blocked.	Clean the filter elements.
	Accessories or hoses blocked.	Check and clean the hose and nozzle.
The intake is not satisfactory (for 24V model).	Discharged battery.	Recharge the battery.
The device turns off during operation (for 24V model).	Discharged battery.	Recharge the battery.





DEALER



Cod. 8050824 - 4<sup>a</sup> ed. - 09/2023

## GHIBLI & WIRBEL S.p.A.

Registered office:

Via Enrico Fermi, 43 - 37136 Verona (VR) - Italy

Headquarters:

Via Circonvallazione, 5 - 27020 Dorno (PV) - Italy

P. +39.0382.848811 - F. +39.0382.84668 - M. info@ghibliwirbel.com

[www.ghibliwirbel.com](http://www.ghibliwirbel.com)

100% MADE IN ITALY



ISO 9001

