

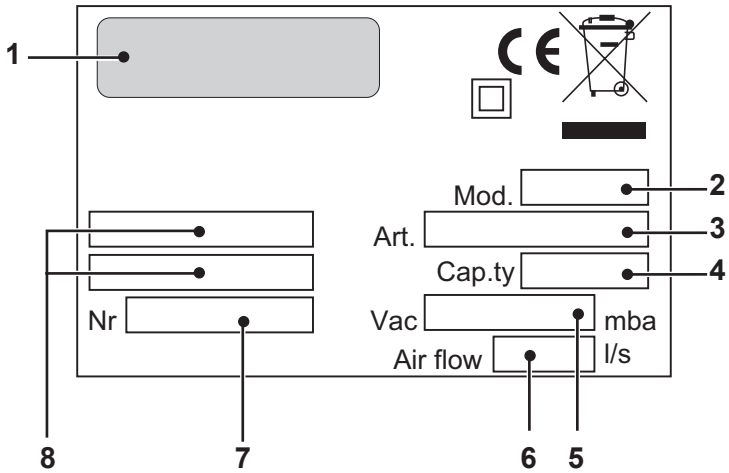
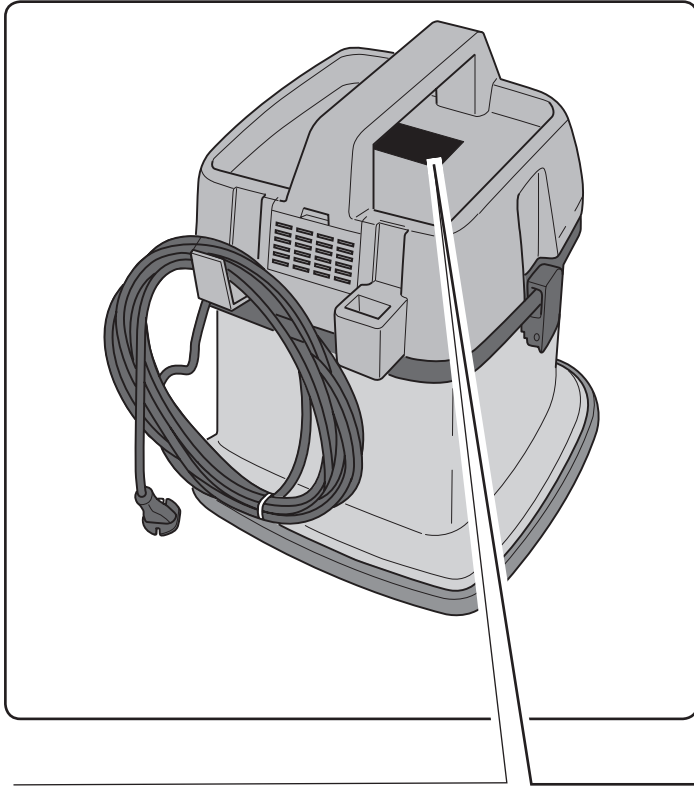
**AS 5 EVO
807**



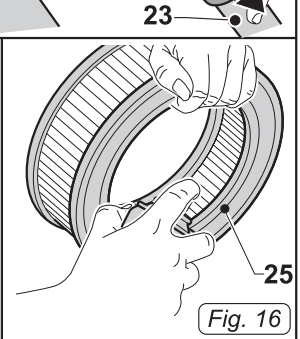
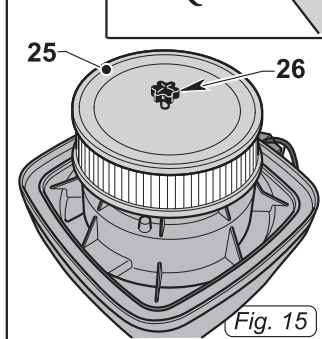
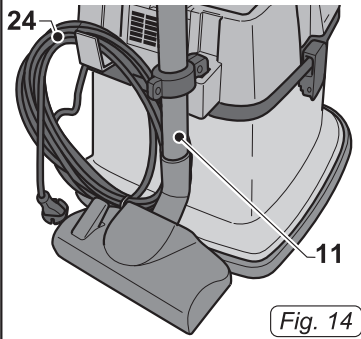
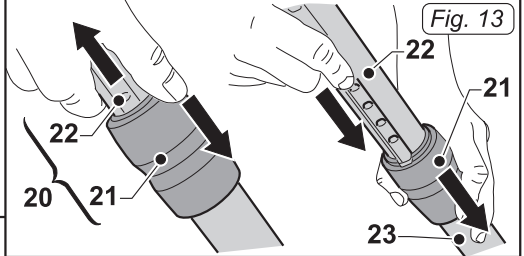
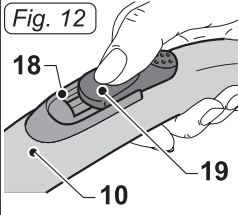
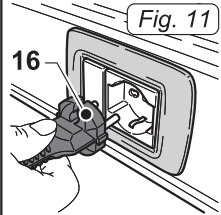
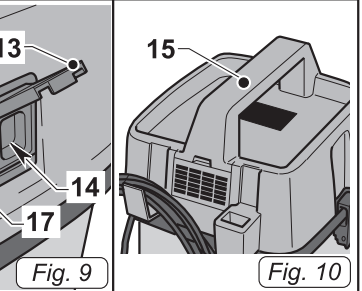
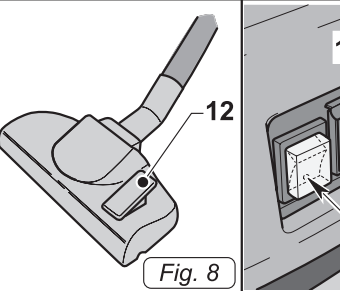
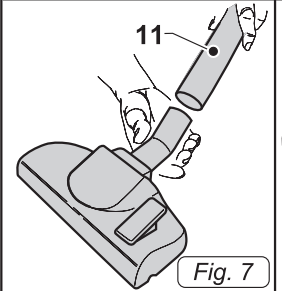
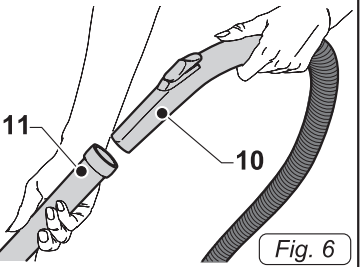
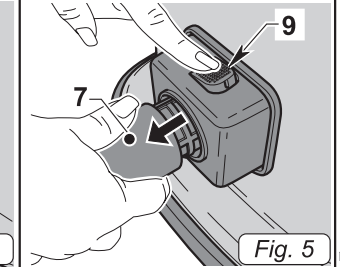
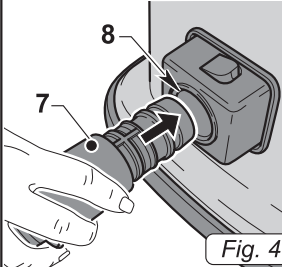
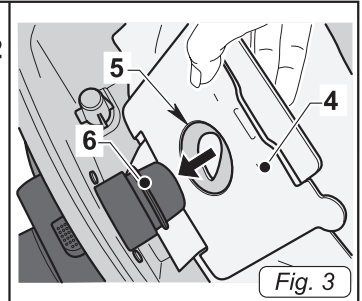
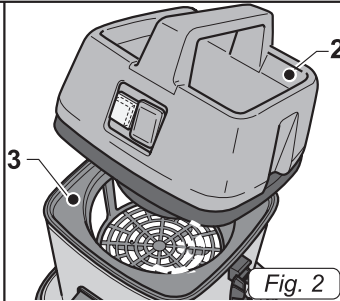
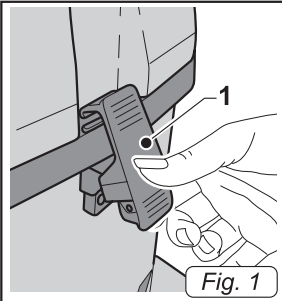
EN Use and Maintenance

CE

8050827
ed. 04/2022



1	2	3	4	5	6	7	8
IT	Produttore	Articolo	Capacità fusto	Capacità aspirazione	Portata d'aria	N° Matricola	Caratteristiche elettriche
EN	Manufacturer	Article	Container capacity	Vacuum	Air flow	Serial N°	Electrical characteristics
FR	Producteur	Article	Capacité de la cuve	Capacité d'aspiration	Débit d'air	N° Matricule	Caractéristiques électriques
DE	Hersteller	Artikel	Fassungsvmögen des Körpers	Ansaugleistung	Luftdurchsatz	Matrikelnr.	Elektrische Eigenschaften
ES	Fabricante	Artículo	Capacidad del bidón	Capacidad de aspiración	Caudal de aire	N° Matricola	Características eléctricas
PT	Produtor	Artigo	Capacidade do reservatório	Capacidade de aspiração	Caudal de ar	Número de série	Características eléctricas
NL	Producent	Artikel	Inhoud reservoir	Zuigcapaciteit	Luchtdebiet	Serienummer	Elektrische eigenschappen
NO	Produsent	Artikkel	Beholderkapasitet	Sugekapasitet	Luftmengde	Matrikelnr.	Elektriske egenskaper
DK	Fabrikant	Artikel	Beholdervolumen	Sugeeffekt	Luftmængde	Matrikelnummer	El-specifikationer
SV	Tillverkare	Artikel	Korgens kapacitet	Sugkapacitet	Luftflöde	Serienummer	Elektriska egenskaper
PL	Producent	Antykuł	Pojemność zbiornika	Podciśnienie (mbar)	Przepływ powietrza	Nr. Fabryczny	Właściwości elektryczne
CS	Výrobce	Typ	Obsah nádoby	Saci výkon	Množství dopravovaného vzduchu	Výrobní č.	Elektrické údaje
SK	Výrobca	Výrobok	Objem nádoby	Saci výkon	Pretok vzduchu	Výrobné č.	Elektrické vlastnosti
TR	Üretici	Ürün	Gövde kapasitesi	Aspirasyon kapasitesi	Hava Akışı	Seri No	Elektriksel Özellikler
HU	Gyártó	Cikk	A szár teljesítménye	Szívó teljesítmény	Levegőhozam	Törzskönyvi szám	Elektromos sajátosságok
RO	Producător	Articol	Capacitate rezervor	Capacitate aspirație	Volum aer	Nr. Matricol	Caracteristici electrice
EL	Κατασκευαστής	Μοντέλο	Χωρητικότητα κάδου	Ικονότητα αναρρόφησης	Ροή αέρα	Αρ. Μητρώου	Ηλεκτρικά χαρακτηριστικά
RU	Изготовитель	Модель	Емкость бака	Мощность всасывания	Расход воздуха	Заводской №	Электрические характеристики
HR	Proizvođač	Model	Zapremnina spremnika	Usisni kapacitet	Protok zraka	Registracijski br.	Električna svojstva
SR	Proizvođač	Model	Kapacitet posolja	Kapacitet usisa	Nosivost vazduha	Br° Proizvoda	Električne karakteristike
BG	Производител	Модел	Вместимост на резервоара	Капацитет на засмукване	Въздушен поток	Серийен номер	Електрически характеристики
ET	Tootja	Mudel	Paagi mahit	Imemisvõimsus	Õhuvool	Seria number	Elektrilised omadused
FI	Valmistaja	Mailili	Kapasiteetti tekijävi	Kapasiteetti poisto	Virtaus ilma	Sarjanumero	Sähköiset ominaisuudet
LV	Ražotājs	Modelis	Tvertnes tilpums	Sūkšanas jauda	Gaisa plūsmas	Sērijas numurs	Elektriskie raksturlielumi
LT	Gamintojas	Modelis	Bako talpa	Øsiurbimo galimybos	Eilės numeris	Eilės numeris	Elektrinės charakteristikos
SL	Proizvajalec	Model	Prostornina rezervoarja	Sesalna zmogljivost	Pretok zraka	Serijska številka	Električne značilnosti
AR	الصانع	الطرز	سعة الخزان	قدرة الشفط	تدفق الهواء	الرقم التسلسلي	المواصفات الكهربائية



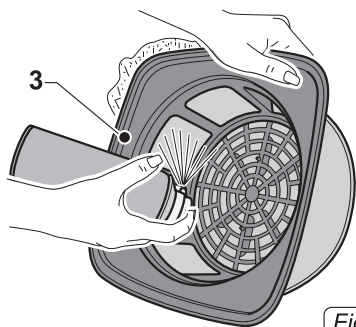


Fig. 17

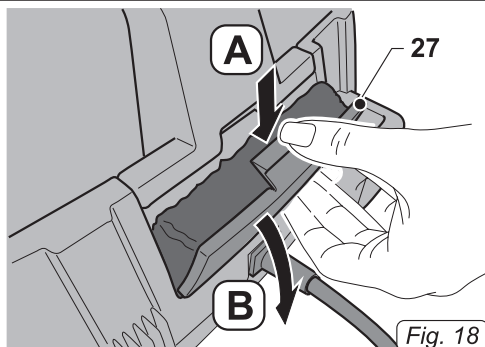


Fig. 18

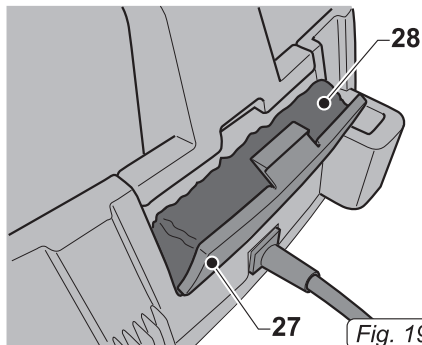


Fig. 19

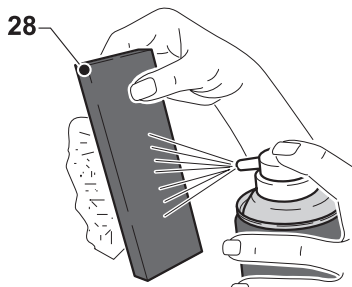


Fig. 20



English ENGLISH - 1
(Translation of original instructions)

TECHNICAL CHARACTERISTICS

Voltage	See data plate
Motor power	800 W
Sound level	61 dB(A)
Depression	210 mmH ₂ O
Paper bag capacity	5 l
Dimensions	350 x 350 x 430H mm
Weight	6 kg
Accessories	Ø 32 mm

TYPE OF USE

Use this appliance only as a dry vacuum cleaner to suck up dust, crumbs etc. It has only been designed for this use.



DANGER:

The manufacturer can not be held responsible for any damage due to improper or incorrect use.

Any other use releases the manufacturer from liability for harm to persons and/or property and invalidates any warranty condition.

IMPROPER USE

Do not use the appliance to:

- Aspirate any type of liquid;
- Aspirate flammable, explosive, corrosive and toxic substances.
- Aspirate hot substances.

Do not use the appliance in areas at risk of explosion.

PREPARING THE APPLIANCE

Checking the filter systems

- Release the levers (1 Fig. 1) and remove the cover (2 Fig. 2) complete with the motor unit.
- Remove the polyester (3 Fig. 2) filter (if any)
- Check that the paper bag (4 Fig. 3) is in place inside the appliance.
- If the paper bag (4 Fig.3) is not present,

mount it by inserting the hole (5 Fig. 3) with the gasket into the nozzle (6 Fig. 3) until the bag rests up against the drum wall.

- Place the cover back on and lock it using the levers (1 Fig. 1).

Assembling the pipes

- Insert, as far as possible, the sleeve (7 Fig. 4) of the suction hose into the nozzle (8 Fig. 4) on the drum.
- To release the sleeve (7 Fig. 5) press and hold down the button (9 Fig. 5) and then pull the sleeve outwards (7 Fig. 5).
- Attach the extension (11 Fig. 6) to the ergonomic handle (10 Fig. 6).
- Attach the required accessory (suction nozzle, dusting brush, crevice tool, multi-purpose brush etc.) to the extension (11 Fig. 7).

Multi-purpose brush (if present)

The multi-purpose brush should be used as follows:

- To clean hard floors, parquet etc.: press the lever (12 Fig. 8) back to extract the brush bristles.
- To vacuum on carpets, rugs etc.: press the lever (12 Fig. 8) forward to retract the brush bristles.

Auxiliary power brush connection

The appliance is equipped with an auxiliary power brush connection (optional).

- Lift up the flap (13 Fig. 6) to access the socket (14 Fig. 9).

USING THE APPLIANCE



NOTE:

The appliance can only be used if the paper bag is inserted correctly.

- The appliance is fitted with wheels and can therefore be pulled along using the flexible hose.
- To lift it up, insert your fingers into the handle (15 Fig. 10) on the top of the cover.

Starting up the appliance

- Insert the plug (16 Fig. 11) into the electrical socket; the switch (17 Fig. 9) will light up.
- Press the switch (17 Fig. 9) on "I", and the appliance starts up.



NOTE:

The suction force can be adjusted using the selector (18 Fig. 12) located on the ergonomic handle (10 Fig. 12).

Opening up the window (19 Fig. 12) results in lower suction power.

Using the telescopic tube (if present)

- The length of the telescopic tube (20 Fig. 13) can be adjusted as follows:
- To lengthen the tube, press down on the ring nut (21 Fig. 13) with your finger and, at the same time, remove the upper part (22 Fig. 13) of the tube; when the desired length is reached, release the ring nut (21 Fig. 13) the tube will lock into the nearest locking position;
- To shorten the telescopic tube, use one hand to press down the ring nut (21 Fig. 13) and with the other hand reinsert the upper tube (22 Fig. 13) into the lower sleeve (23 Fig. 13).

Switching off the appliance

- Press the switch (17 Fig. 9) to "0" switch off the appliance.
- Remove the plug (16 Fig. 11) from the socket.
- Wind up the cable (24 Fig. 14) and hook it in position then hook the hose (11 Fig. 14) to the joint.

CLEANING AND MAINTENANCE



DANGER:

Before performing any maintenance operations, unplug the appliance from the socket.

Removing and replacing the paper dust collection bag.

- Release the levers (1 Fig. 1) and remove the cover (2 Fig. 2) complete with motor.
- Remove the polyester (3 Fig. 2) filter (if any)
- Remove the paper dust collection bag (4 Fig. 3) and replace it as indicated above.
- Reassemble all the parts carrying out the dismantling procedure steps in reverse order.

Checking and cleaning the cartridge filter (if present)

- Release the levers (1 Fig. 1) and remove the cover (2 Fig. 2) complete with the motor and cartridge filter (25 Fig. 15).
- Unscrew the central knob (26 Fig. 15) and remove the filter cartridge (25 Fig. 15).
- Clean the filter (25 Fig. 16) from the inside out with a blast of air. If there is too much dirt, it must be replaced.
- Reassemble all the parts by following the dismantling process steps in the reverse order.

Checking and cleaning the polyester filter (if present)

- Release the levers (1 Fig. 1) and remove the cover (2 Fig. 2) complete with motor.
- Remove the polyester (3 Fig. 2) filter
- Clean the filter (3 Fig. 17) from the inside out with a blast of air; the filter can be washed (3 Fig. 17) in warm water and must only be replaced once it is completely dry. If it is too dirty, replace it.
- Reassemble all the parts by following the dismantling process steps in the reverse order.

Checking the air outlet filter

- Unhook the flap (27 Fig. 18); press it downwards "A", and then open it "B".
- Remove the filter sponge (28 Fig.19) from the flap (27 Fig. 19) and clean it with a blast of air .
The filter sponge can be washed in warm water and must only be replaced once it is completely dry. If it is too dirty, replace it with a new one.
- Reassemble all the parts by following the dismantling process steps in the reverse order.

Cleaning the appliance body

- Clean the unit body with a cloth dampened with water or a mild detergent;



DANGER:

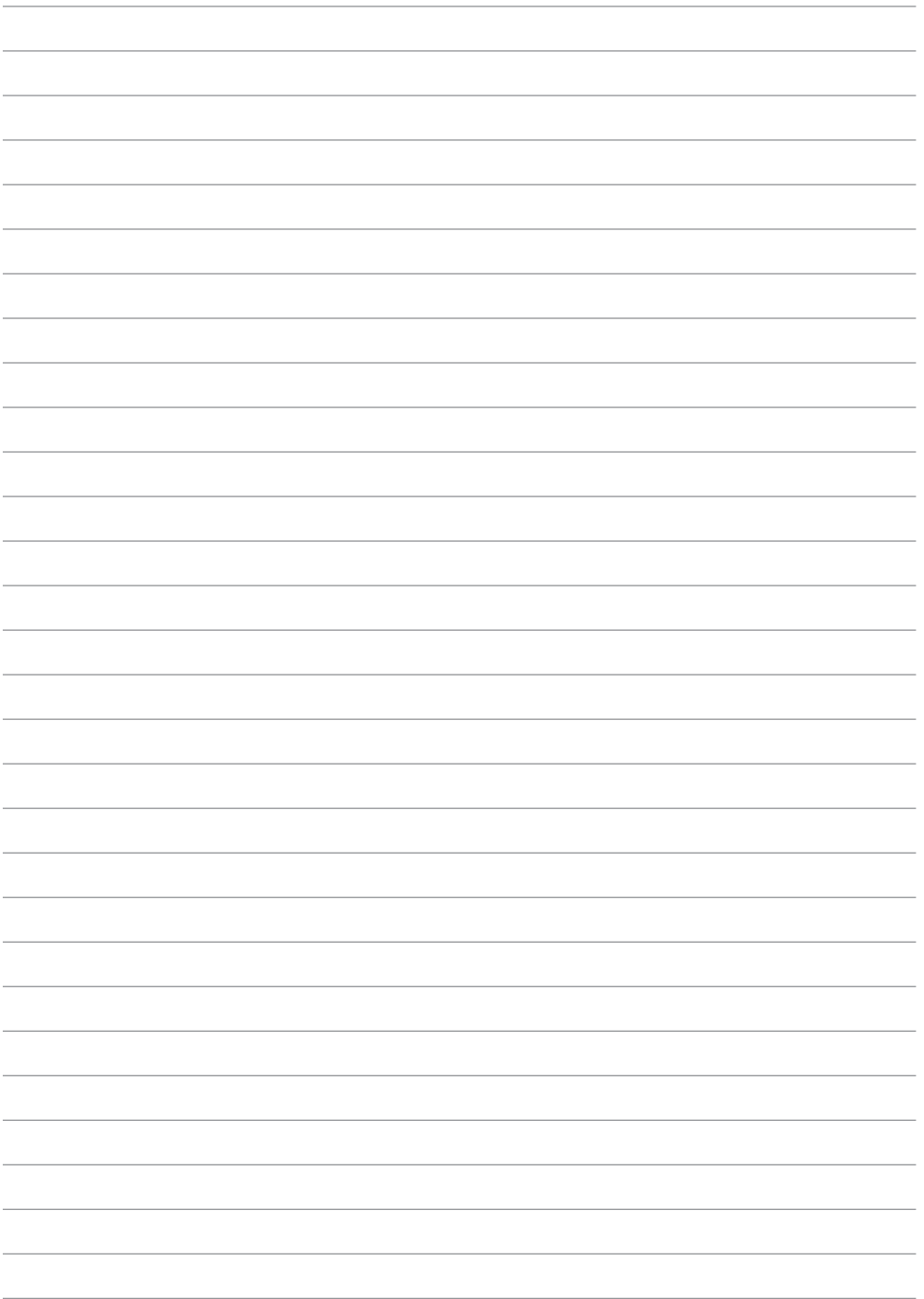
Do not wash the appliance using jets of water.

SPARE PARTS

Pack of 10 paper filter bags	code 6595030
Filter Cartridge	code 6595006
HEPA filter	code 6595007

PROBLEM	CAUSE	SOLUTION
The vacuum cleaner does not work.	Switch not pressed.	Press the switch.
	Plug not inserted.	Insert the plug into the socket.
	No current.	Check the power line.
Suction is not satisfactory.	Paper bag full.	Replace the dust bag.
	Filter elements clogged.	Clean the filter elements.
	Accessories or tubes clogged.	Check and clean the flexible hose and the suction nozzle.







DEALER



Cod. 8050827 - 5ª ed. - 04/2022

GHIBLI & WIRBEL S.p.A.

Registered office:

Via Enrico Fermi, 43 - 37136 Verona (VR) - Italy

Headquarters:

Via Circonvallazione, 5 - 27020 Dorno (PV) - Italy

P. +39.0382.848811 - F. +39.0382.84668 - M. info@ghibliwirbel.com

www.ghibliwirbel.com

100% MADE IN ITALY



ISO 9001

