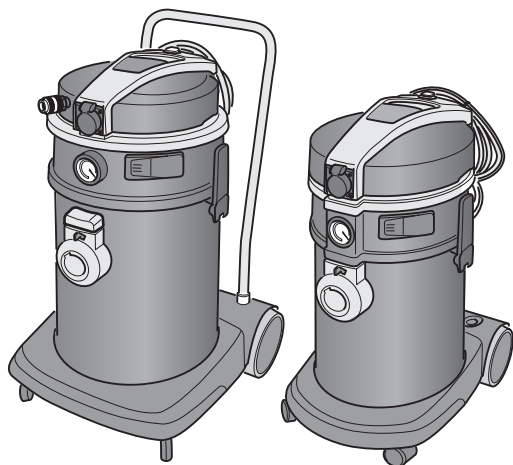


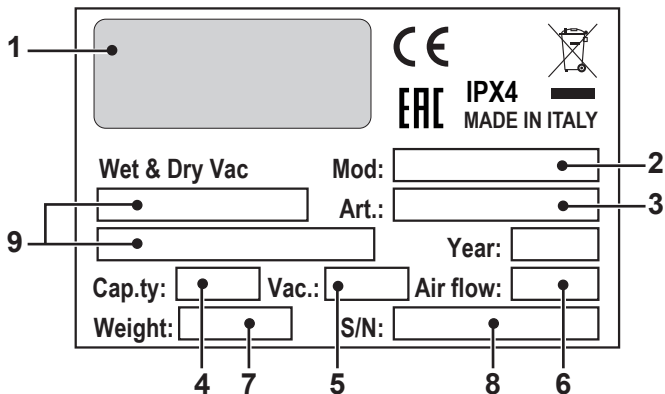
POWER TOOL PRO M



EN Use and Maintenance

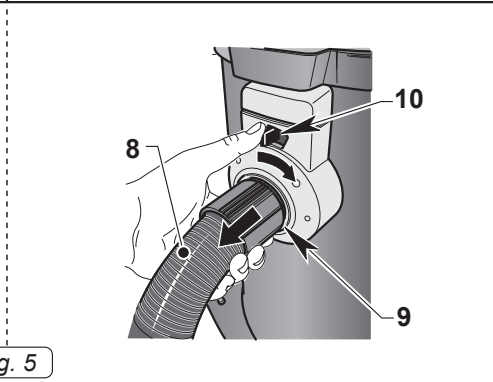
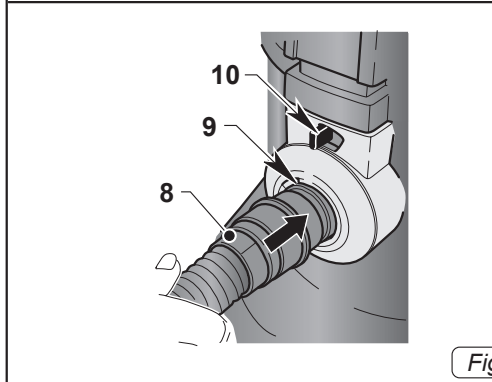
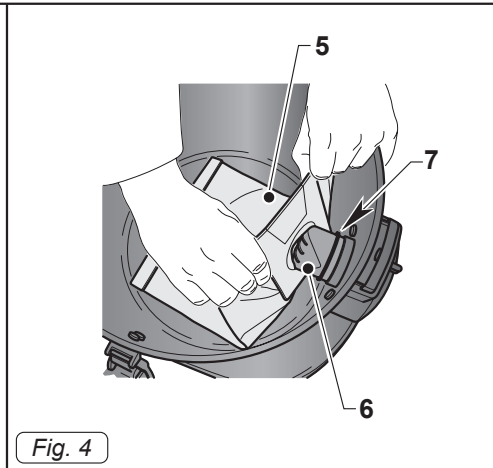
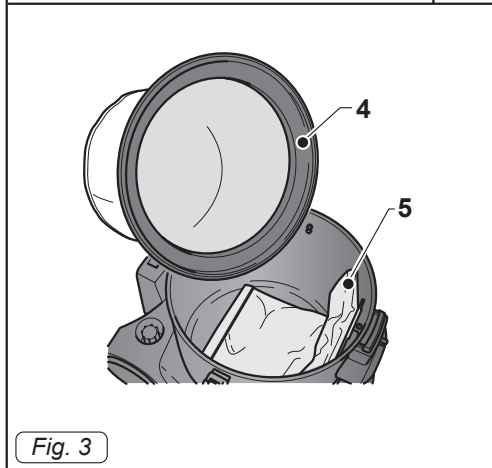
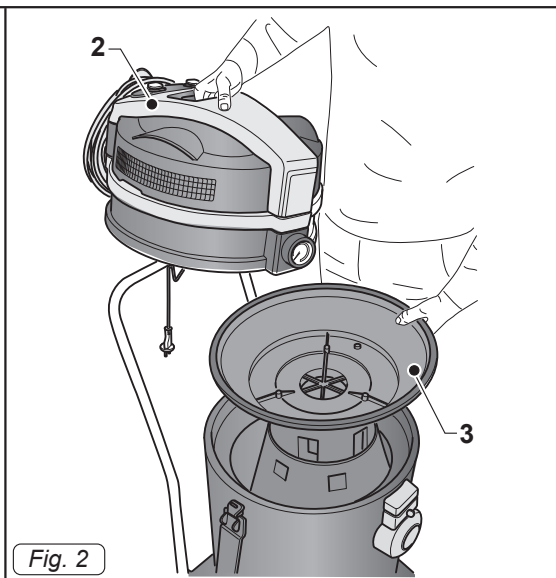
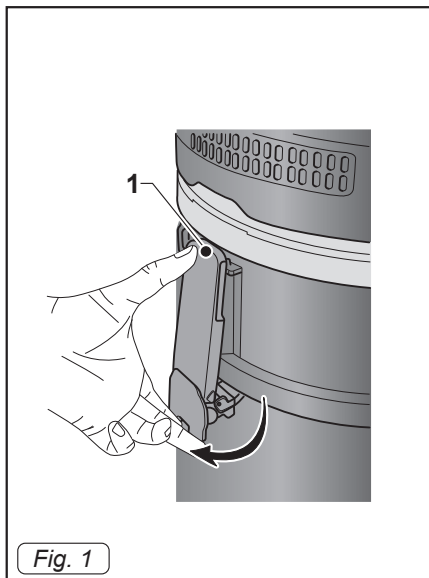


8050855
ed. 11/2020



	1	2	3	4	5
IT	Produttore	Modello	Articolo	Capacità contenitore	Capacità aspirazione
EN	Manufacturer	Model	Article	Container capacity	Vacuum
FR	Producteur	Modèle	Article	Capacité de la cuve	Capacité d'aspiration
DE	Hersteller	Modell	Artikel	Fassungsvermögen des Körpers	Ansaugleistung
ES	Fabricante	Modelo	Artículo	Capacidad del bidón	Capacidad de aspiración
PT	Produtor	Modelo	Artigo	Capacidade do reservatório	Capacidade de aspiração
NL	Producent	Model	Artikel	Inhoud reservoir	Zuigcapaciteit
CS	Výrobce	Model	Typ	Obsah nádoby	Sací výkon
RU	Изготовитель	Модель	Артикул	Емкость бака	Мощность всасывания
PL	Producent	Model	Artykuł	Pojemność zbiornika	Podciśnienie (mbar)
AR	الصانع	الطراز	النوع	سعة الخزان	قدرة الشفط

	6	7	8	9
IT	Portata d'aria	Peso macchina	N° Matricola	Caratteristiche elettriche
EN	Air flow	Machine weight	Serial N°	Electrical characteristics
FR	Débit d'air	Poids de la machine	N° Matricule	Caractéristiques électriques
DE	Luftdurchsatz	Maschinengewicht	Serien-Nr.	Elektrische Eigenschaften
ES	Caudal de aire	Peso de la máquina	N° Matricola	Características eléctricas
PT	Caudal de ar	Peso da máquina	Número de série	Características elétricas
NL	Luchtdebiet	Machine gewicht	Seriennummer	Elektrische eigenschappen
CS	Množství dopravaného vzduchu	Hmotnost stroje	Výrobní č.	Elektrické údaje
RU	Расход воздуха	Вес машины	Заводской №	Электрические характеристики
PL	Przepływ powietrza	Ciężar maszyny	Nr. Fabryczny	Właściwości elektryczne
AR	تدفق الهواء	وزن الآلة	الرقم التسليلي	المواصفات الكهربائية



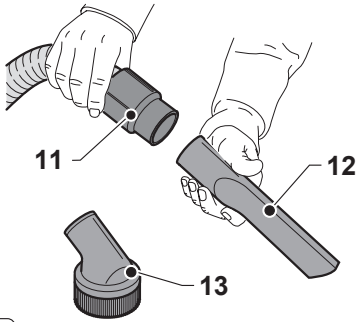


Fig. 6

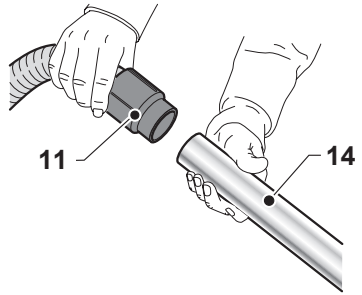


Fig. 7

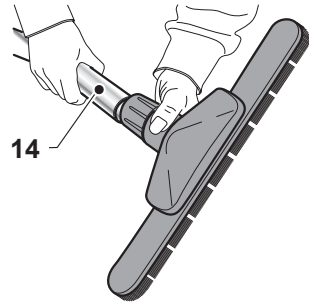
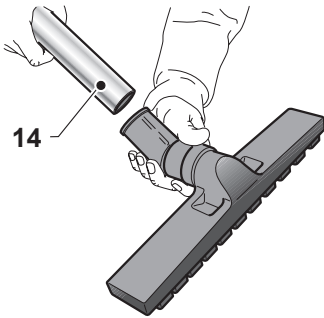


Fig. 8

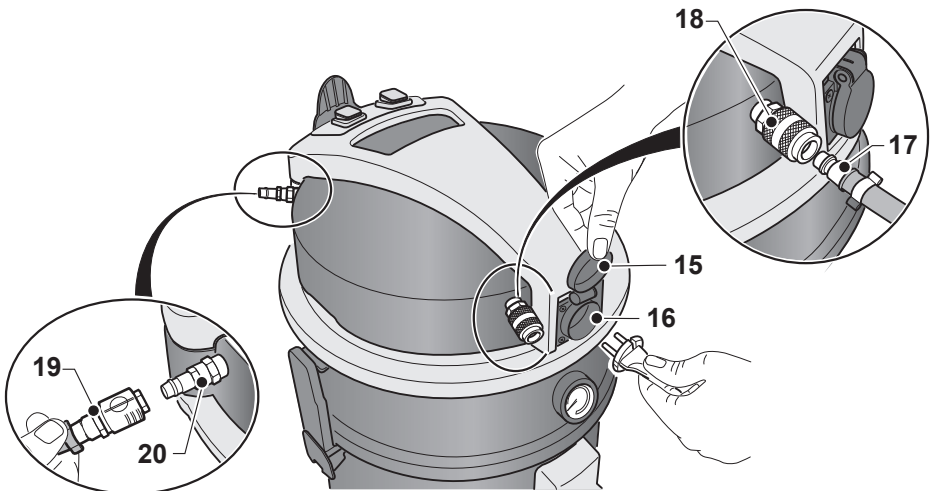


Fig. 9

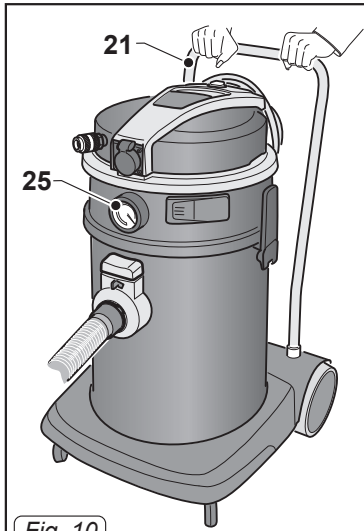


Fig. 10

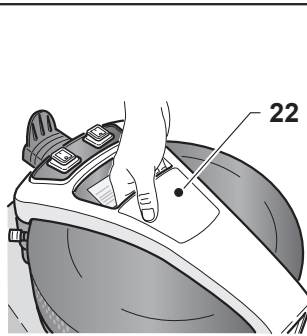


Fig. 11

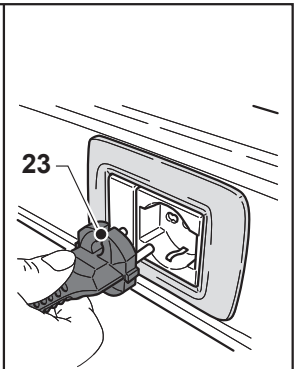


Fig. 12

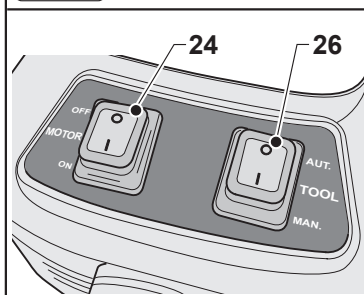


Fig. 13

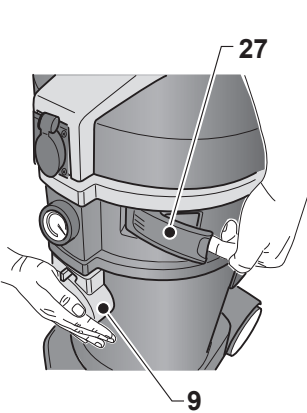


Fig. 14

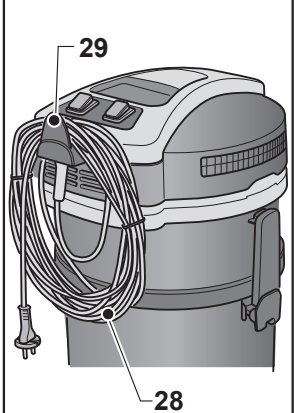


Fig. 15

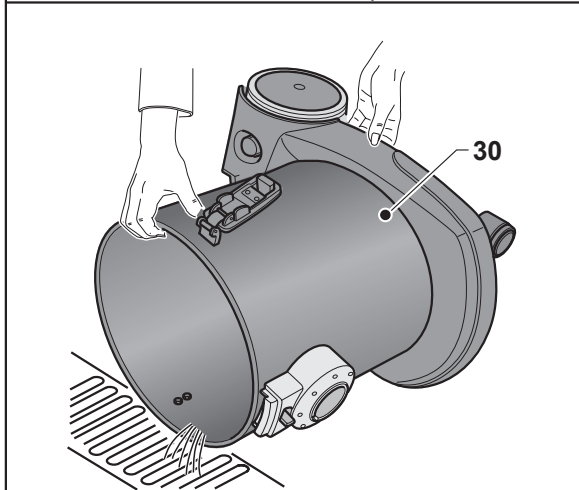
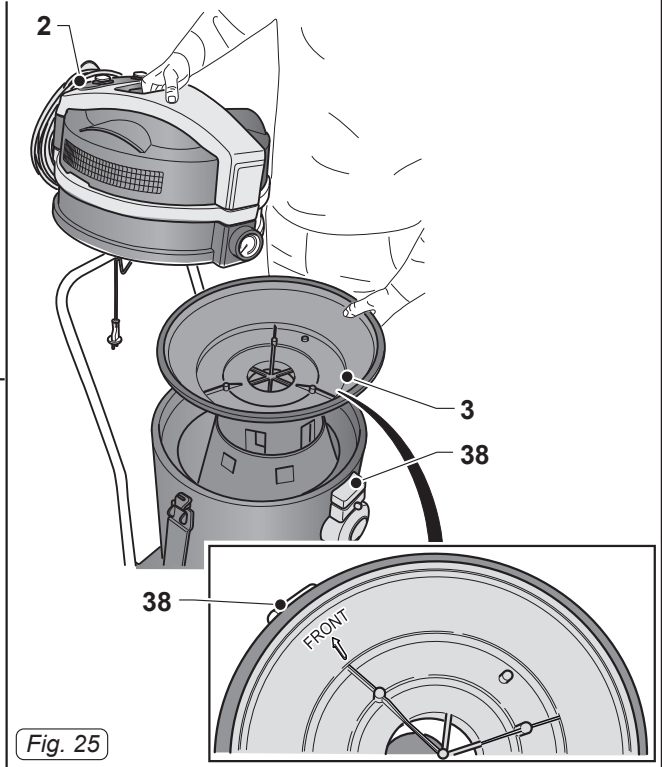
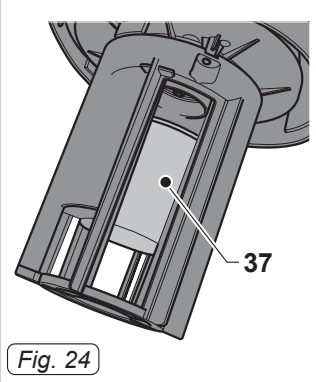
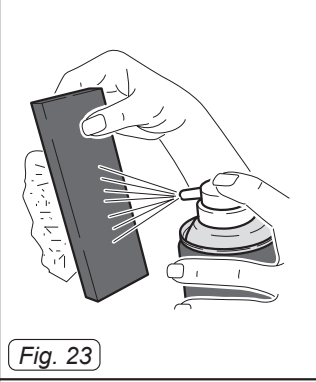
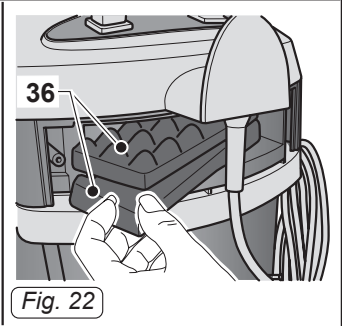
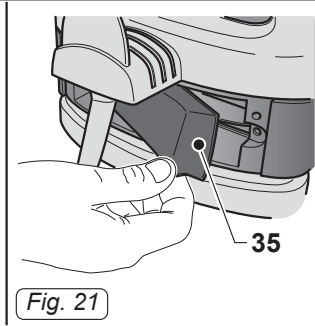
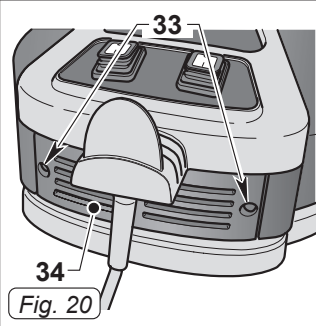
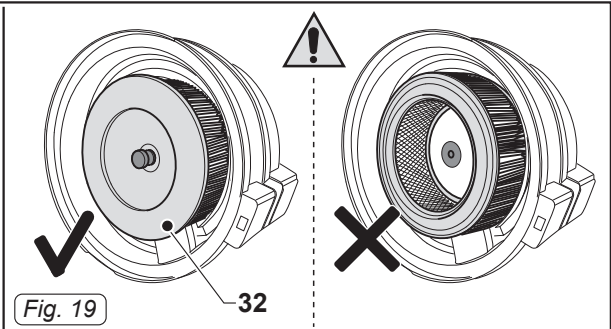
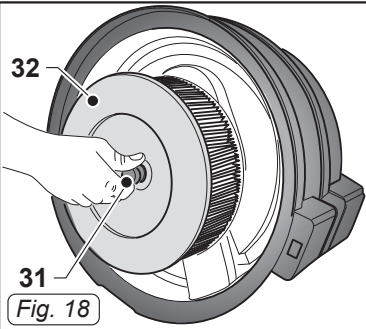


Fig. 16



Fig. 17





English ENGLISH - 1
(Translation of original instructions)

TECHNICAL DATA

	POWER TOOL	
	PRO FD 36 P EL M PRO FD 36 P COMBI M	PRO FD 50 P EL M PRO FD 50 P COMBI M
Dust suction device	■	■
Liquid suction device	■	■
Voltage - Frequency	220 - 240 V~	50/60 Hz
Maximum power (suction)	1250 W	1450 W
Nominal power (suction)	1100 W	1350 W
Power load electrical socket	2000 W	2000 W
Total power Σ	3100 W	3350 W
Noise level	60 ± 2 dB(A)	62 ± 2 dB(A)
Depression	235 hPa	260 hPa
Air flow	255 m ³ /h	266 m ³ /h
Capacity	25 l	35 l
Dimensions	500 x 380 x 820 mm	540 x 490 x 840 mm
Weight	11,5 kg	15 kg
Suction hose diameter	Ø 40 mm	
Class M suction hose diameter	Ø 29 mm	



CLASS M - Adhesive present on a machine suitable for vacuuming dangerous Medium Risk dusts and to separate dust with an exposure limit value depending on the occupied volume $\geq 0,1 \text{ mg/m}^3$.

INTRODUCTION



DANGER:

Before using the machine, carefully read the “SAFETY RECOMMENDATIONS FOR VACUUM CLEANERS” booklet attached to this document and the additions below.



WARNING:

- The employer must inform, educate and train the user following what is prescribed by the current laws.
 - Before working with this machine, prepare and train by carefully reading this manual. Not authorized and not trained people cannot use this machine.
 - It is forbidden to aspirate toxic substances, unless the machine is equipped with the special filters necessary for the specific type of dust which must be expressly requested by you scrupulously observing the current national standards.
 - Before using the appliance, the operator must be informed and trained to use the machine and about the substances for which the appliance will be used, including the removal and disposal of aspirated material.
 - For maintenance, the machine must be disassembled, cleaned and repaired, as far as possible, without causing risks for the maintenance personnel and for others.
- The precautions include decontamination before dismantling, the correct ventilation in the rooms in case of the machine disassembling, the maintenance zone cleaning and an appropriate protection of the personnel.
- The manufacturer, or an educated person, should inspect the appliance at least once a year checking if, for example, the filtering system is intact, if the air flux is correct and if the machine control system works correctly.
 - When performing maintenance or repairs, all contaminated parts that cannot be adequately cleaned must be eliminated; these parts must be placed in impermeable bags according to current regulations on that type of waste
 - For the M Class, the machine outside will have to be decontaminated using an aspirator, a cloth or be treated with a sealant before taking the machine outside the danger area. All the machines will be considered decontaminated once they have exited from the danger zones and once every action necessary to avoid that the dust is dispersed has been performed.
 - For class M, the machine must be thoroughly cleaned before leaving the contaminated zone and transported.
 - It is necessary to guarantee an appropriate exchange of air in the room where the machine is used. Please refer to the national standards.

TYPE OF USE

These devices were designed to vacuum liquids or solids or both, according to the technical data table from the introduction to this manual.

Uses different from those listed above are not allowed.

Any use different from the one for which the vacuum has been built represents an anomalous condition which could harm the appliance and constitute a serious hazard for the user.



DANGER:

The manufacturer can not be held responsible for any damage due to improper or incorrect use.

Any other use releases the manufacturer from liability for harm to persons and/or property and invalidates any warranty condition.



WARNING:

Always use dedicated filters depending on the type of dusts or debris to be vacuumed.



WARNING:

Do not use the unit for:

- Vacuum hot substances.
- Don't pick up flammable, incandescent, explosive or toxic dust/blends.
- This machine is not suitable for picking up dangerous dust (unless otherwise indicated).
- Do not use the equipment in hazardous environments.

- Do not use the appliance in liquid suction mode to suction powder and vice versa.



WARNING:

Do not use outdoors.

This appliance must be stored, taking its weight into consideration, on a solid, steady, safe and not sloping plane, indoor and in a dry area.

PREPARING THE APPLIANCE

Vacuum cleaner



DANGER:

For Class M vacuum cleaners, use only hoses with a diameter indicated in the table "Technical Data / Class M suction hose diameter".

For appliances equipped with suitable accessories.

- Release the levers (1 Fig. 1) and remove the cover (2 Fig. 2) complete with the motor unit and floater-holder (3 Fig. 2).
- Remove the polyester filter (4 Fig. 3).
- Check, if present, that the fleece bag (5 Fig. 3) is mounted inside the appliance.
- If the fleece bag (5 Fig. 3) is not present, mount it, if required, as follows:
Slip on the fleece filter bag (5 Fig. 4) into the intake (6 Fig. 4) past the collar (7 Fig. 4).
- Reassemble the polyester filter (4 Fig. 3).

- Re-mount the floater-holder (3 Fig. 25), with the "FRONT" arrow aligned with the front part of the machine (38 Fig. 25); also re-mount the cover (2 Fig. 25) and block it via the levers (1 Fig. 1).
- Insert, as far as possible, the sleeve (8 Fig. 5) of the suction hose into the nozzle (9 Fig. 5) on the drum.
- To release the sleeve (8 Fig. 5) turn the lever (10 Fig. 5) clockwise and then pull the sleeve outwards (8 Fig. 5).
- Attach a crevice tool (12 Fig. 6) or dusting brush (13 Fig. 6) to the flexible hose (11 Fig. 6) depending on the type of cleaning to be performed.
- If provided, attach the extension wand (14 Fig. 7), to the hose (11 Fig. 7), followed by the required accessory (suction nozzle, floor nozzle, etc. Fig. 8).

Tools connection



NOTE:

A relevant hose is supplied for these types of machine, with suitable tool attachments.

Power tool connection

For appliances fitted with relative outlet.

- Lift the cover (15 Fig. 9) and connect the power tool plug to the outlet (16 Fig. 9) present on the head of the vacuum cleaner (maximum power allowed 2000 W).

Pneumatic tool connection

For appliances fitted with relative attachments.

- Connect the hose (17 Fig. 9) of the pneumatic tool to the relative fitting (18 Fig. 9) present on the head of the vacuum cleaner.
- Connect the pneumatic power supply line (19 Fig. 9) to the fitting (20 Fig. 9) present on the head of the vacuum cleaner (maximum pressure allowed 10 bar).

Liquid suction



WARNING:

Risk of electric shock!

In the event of foam or liquid leakage, switch off the apparatus immediately. Empty the recovery tank and clean the filters as described in the relevant sections.



NOTE:

Regularly check that the floater is operating correctly as described in the relevant section.

For appliances equipped with suitable accessories.

- Release the levers (1 Fig. 1) and remove the cover (2 Fig. 2) complete with the motor unit and floater-holder (3 Fig. 2).
- Remove the polyester filter (4 Fig. 3) if present.
- Remove the fleece bag (5 Fig. 3) if present.
- Re-mount the floater-holder (3 Fig. 25), with the "FRONT" arrow aligned with the front part of the machine (38 Fig. 25); also re-mount the cover (2 Fig. 25) and block it via the levers (1 Fig. 1).
- Insert, as far as possible, the sleeve (8 Fig. 5) of the suction hose into the nozzle (9 Fig. 5) on the drum.
- To release the sleeve (8 Fig. 5) turn the lever (10 Fig. 5) clockwise and then pull the sleeve outwards (8 Fig. 5).
- Attach a crevice tool (12 Fig. 6) or dusting brush (13 Fig. 6) to the flexible hose (11 Fig. 6) depending on the type of cleaning to be performed.
- If provided, attach the extension wand (14 Fig. 7), to the hose (11 Fig. 7), followed by the required accessory (suction nozzle, floor nozzle, etc. Fig. 8).

USING THE APPLIANCE

- The device is equipped with wheels and thus can be moved with the proper handles, or it can be pushed with the help of the handle (21 Fig. 10).
- To lift it up insert your fingers under the dedicated handle (22 Fig. 11) on the top of the cover.

Starting the appliance as a dust suction device or liquid suction device

- Insert the plug (23 Fig. 12) into the socket.
- Position the Tool switch (26 Fig. 13) to "MAN".
- Push the Motor switch (24 Fig. 13) to "ON" to start the suction motor – the switch will illuminate.



NOTE:

When the recovery tank is full, the noise intensity increases and the device can no longer aspire. Then you must switch off the device and empty the tank as described in the relevant paragraphs.



DANGER:

During functioning, always check that the manometer hand (25 Fig. 10) remains in the green sector. If the hand moves in the red zone it means that it's necessary to clean or replace the filters.

Starting the appliance with tools

Manual start-up

- Position the Tool switch (26 Fig. 13) to "MAN".
- Push the Motor switch (24 Fig. 13) to "ON" which will illuminate. The vacuum cleaner starts up.

Automatic start-up

- Position the Tool switch (26 Fig. 13) to "AUT".
- Push the Motor switch (24 Fig. 13) to "ON", which will illuminate. The vacuum cleaner starts-up when the tool connected starts and stops a few seconds after tool switch-off.

Filter-shaker

For machines supplied.

- Remove the suction hose as described in the relative paragraph.
- Start the suction motor.
- Use one hand to block the suction nozzle (9 Fig. 14) and use the other hand to open the hatch (27 Fig. 14) for one - two seconds.
- Repeat the procedure 3 times and then switch the suction motor off.

Switching off the appliance

- Push the Motor switch (24 Fig. 13) to "OFF" to switch off the appliance – the light switches off.
- Remove the plug (23 Fig. 12) from the electrical socket.
- Wind up the cable (28 Fig.15) and hook it onto its housing (29 Fig. 15).

CLEANING AND MAINTENANCE



DANGER:

Before performing any maintenance operation, unplug the appliance from the electrical socket.



DANGER:

These operations can be performed, in accordance with the current laws, only by specialized and trained personnel, while wearing the necessary safety clothing.

In any case, always refer to the current national standards and laws.

Removing and replacing the fleece dust bag (if present)

- Release the levers (1 Fig. 1) and remove the cover (2 Fig. 2) complete with motor unit and floater-holder (3 Fig. 2).
- Remove the polyester filter (4 Fig. 3).
- Remove the fleece dust bag (5 Fig. 3), and replace it as indicated above.
- Reassemble all parts in reverse order of disassembly.

Emptying the recovery tank

- Release the levers (1 Fig. 1) and remove the cover (2 Fig. 2) complete with motor unit and floater-holder (3 Fig. 2).
- Place it on the top of a drain and empty the liquid in the recovery tank (30 Fig. 16).
- Clean the inside of the tank with running water and then reassemble in reverse order of disassembly.

Daily cleaning

Checking and cleaning the polyester filter (if present)

- Release the levers (1 Fig. 1) and remove the cover (2 Fig. 2) complete with motor unit and floater-holder (3 Fig. 2).
- Remove the polyester (4 Fig. 3) filter.
- Clean the filter (Fig. 17) from the inside out with a blast of air.
- Reassemble everything in reverse order of disassembly.

Cleaning the appliance

- Clean the unit body with a cloth dampened with water or a mild detergent.

- Remove the top, as described above and clean the inside with running water and then empty it, as indicated above.
- Reassemble everything in reverse order of disassembly.



DANGER:

Do not wash the appliance using jets of water.

Periodic checks

Replacing the class M cartridge filter

- Release the levers (1 Fig. 1) and remove the cover (2 Fig. 2) complete with motor unit.
- Loosen the knob (31 Fig. 18) and remove the filter (32 Fig. 18).
- Replace the filter (32 Fig. 19), remounting it correctly in position.
- Reassemble everything in reverse order of disassembly.



WARNING:

The debris on the filter and the filter itself must be disposed following the standards of the country where the vacuum is being used.

Checking the air outlet filter

- Loosen the screws (33 Fig. 20) and remove the cover (34 Fig. 20).
- Remove the foam tank (35 Fig. 21) and the texture sponges (36 Fig. 22) if any.
- Clean the sponges with a blast of air (Fig. 23).

The filter sponges can be washed in warm water and must only be replaced once they are completely dry; if too dirty, replace them with new ones.

- Reassemble everything in reverse order of disassembly.

Checking the floater

- Remove the top as shown above.
- Check If the floater (37 Fig. 24) is In good condition and if it moves freely in its space.
- Reassemble everything in reverse order of disassembly.

SPARE PARTS

Code	Description	M Class
2512741	Cartridge Filter	■
6620000	Canvas Filter (FD 36.1)	■
6730000	Canvas Filter (FD 50.1)	■
6830031	Fleece Filter Bag	
6010540	Flexible Hose Ø29 - 5m	■
6010545	Flexible Hose Ø29 - 5m Combi	■

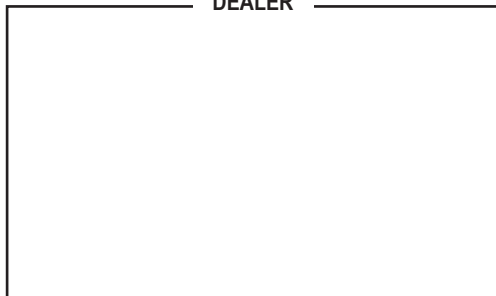
TROUBLESHOOTING

PROBLEM	CAUSE	SOLUTION
The vacuum cleaner does not work.	Switch not pressed.	Press the Motor switch to "ON" and ensure the Tool switch is set to "MAN".
	Plug not inserted.	Insert the plug into the socket.
	No current.	Check the power supply line.
Suction is not satisfactory.	Fleece bag full.	Replace the dust bag.
	Container full.	Empty container.
	Filter elements clogged.	Clean the filter components. Clean or replace the class M cartridge filter.
	Accessories or tubes clogged.	Check and clean the flexible hose and the suction nozzle.
	Suction nozzle squeegee worn or damaged.	Check and replace the squeegee.





DEALER



Cod. 8050855 - 3^a ed. - 04/2022

GHIBLI & WIRBEL S.p.A.

Registered office:

Via Enrico Fermi, 43 - 37136 Verona (VR) - Italy

Headquarters:

Via Circonvallazione, 5 - 27020 Dorno (PV) - Italy

P. +39.0382.848811 - F. +39.0382.84668 - M. info@ghibliwirbel.com

www.ghibliwirbel.com

100% MADE IN ITALY



ISO 9001

