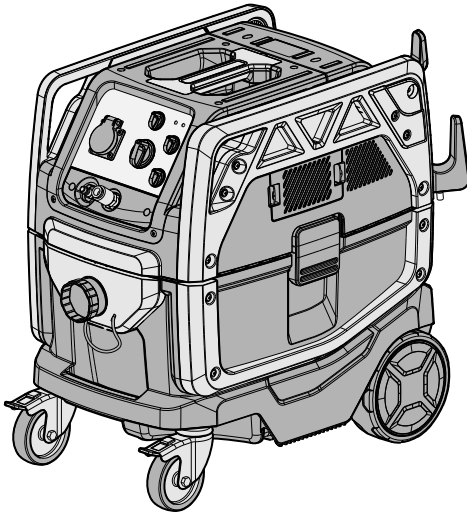


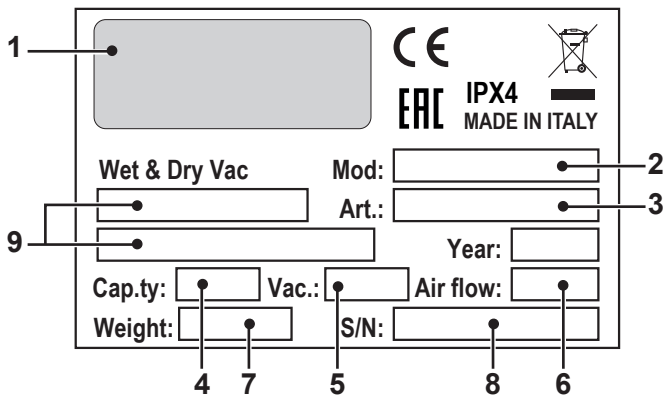
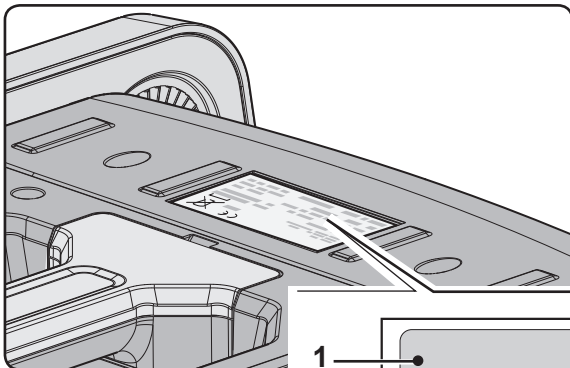
# TOOL PRO WDA 40



**EN Use and Maintenance**

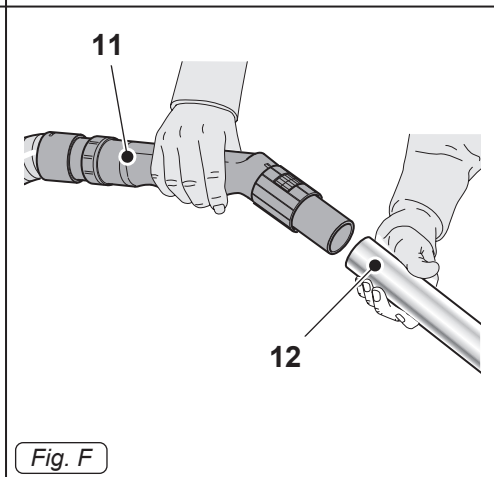
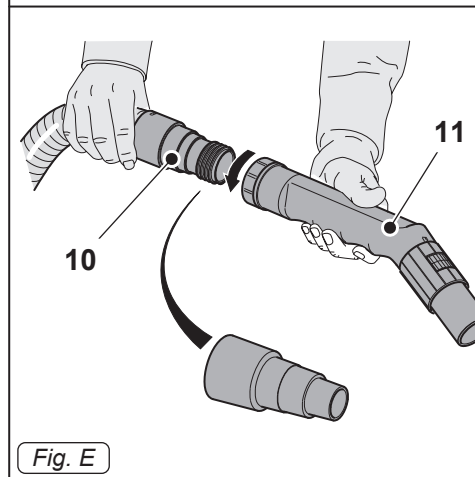
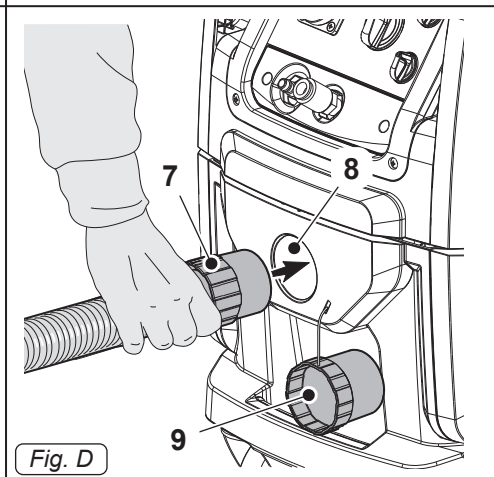
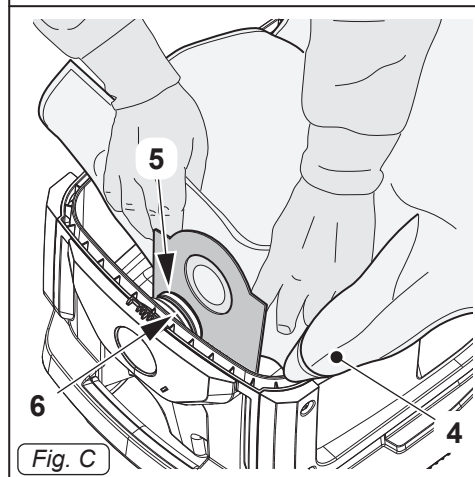
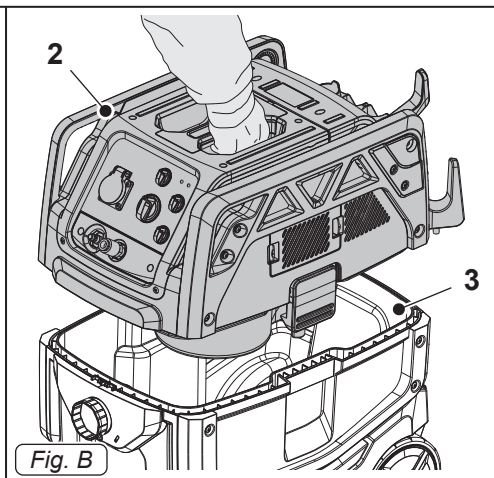
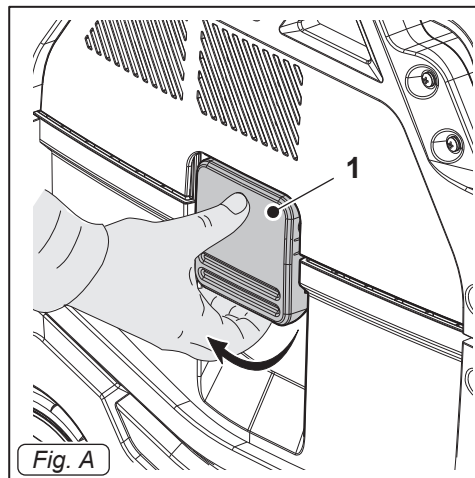


8060044  
ed. 09/2023



	1	2	3	4	5
IT	Produttore	Modello	Articolo	Capacità contenitore	Capacità aspirazione
EN	Manufacturer	Model	Article	Container capacity	Vacuum
FR	Producteur	Modèle	Article	Capacité de la cuve	Capacité d'aspiration
DE	Hersteller	Modell	Artikel	Fassungsvermögen des Körpers	Ansaugleistung
ES	Fabricante	Modelo	Artículo	Capacidad del bidón	Capacidad de aspiración
PT	Produtor	Modelo	Artigo	Capacidade do reservatório	Capacidade de aspiração
NL	Producent	Model	Artikel	Inhoud reservoir	Zuigcapaciteit
CS	Výrobce	Model	Typ	Obsah nádoby	Sací výkon
RU	Изготовитель	Модель	Артикул	Емкость бака	Мощность всасывания
PL	Producent	Model	Artykuł	Pojemność zbiornika	Podciśnienie (mbar)
AR	الصانع	الطراز	النوع	سعة الخزان	قدرة الشفط

	6	7	8	9
IT	Portata d'aria	Peso macchina	N° Matricola	Caratteristiche elettriche
EN	Air flow	Machine weight	Serial N°	Electrical characteristics
FR	Débit d'air	Poids de la machine	N° Matricule	Caractéristiques électriques
DE	Luftdurchsatz	Maschinengewicht	Serien-Nr.	Elektrische Eigenschaften
ES	Caudal de aire	Peso de la máquina	N° Matricola	Características eléctricas
PT	Caudal de ar	Peso da máquina	Número de série	Características eléctricas
NL	Luchtdebiet	Machine gewicht	Serienummer	Elektrische eigenschappen
CS	Množství dopravovaného vzduchu	Hmotnost stroje	Výrobní č.	Elektrické údaje
RU	Расход воздуха	Вес машины	Заводской №	Электрические характеристики
PL	Przepływ powietrza	Ciężar maszyny	Nr. Fabryczny	Właściwości elektryczne
AR	تدفق الهواء	وزن الآلة	الرقم التسلسلي	المواصفات الكهربائية



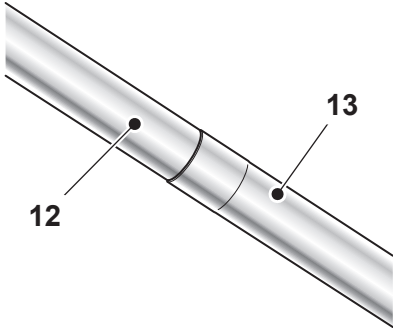


Fig. G

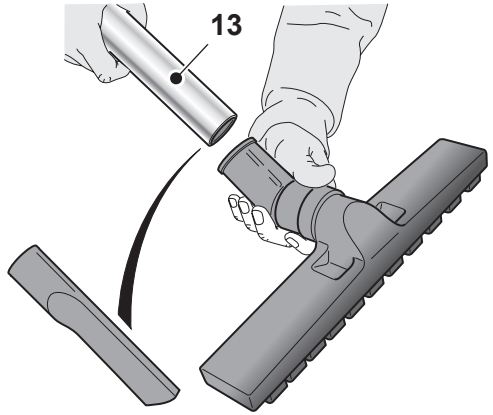


Fig. H

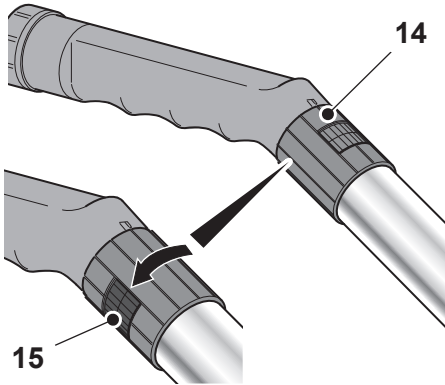


Fig. I

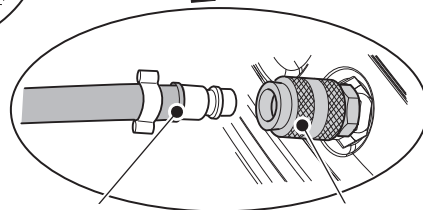
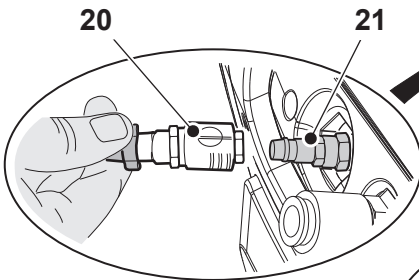
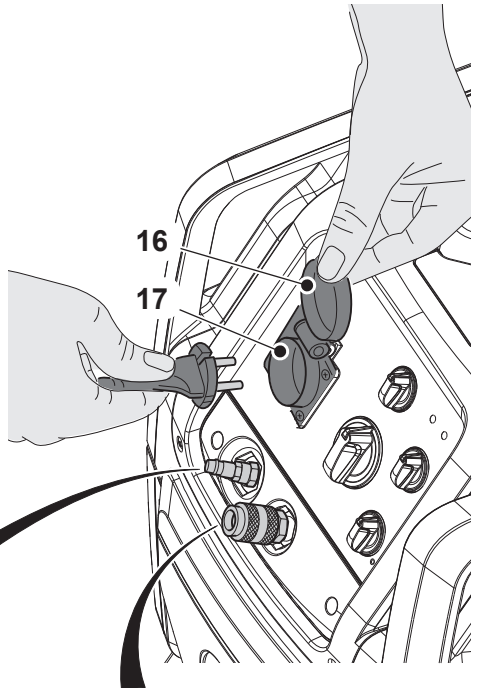


Fig. J

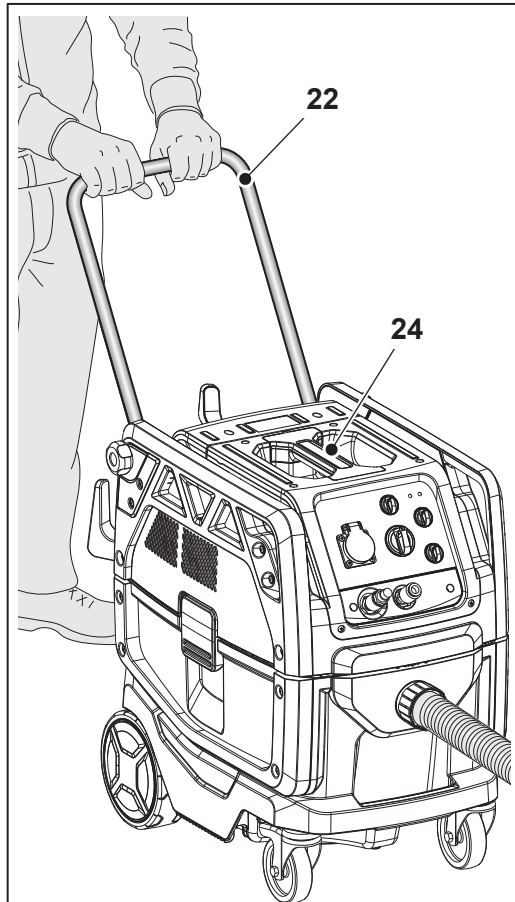


Fig. K

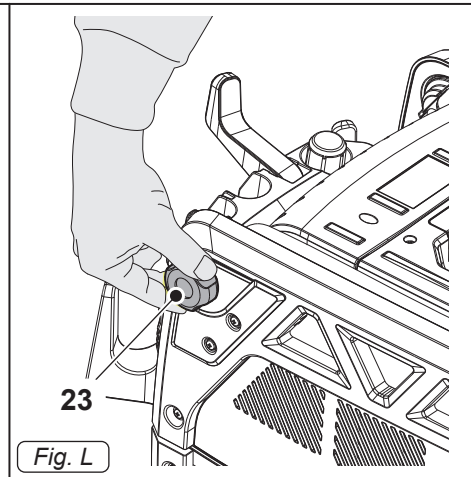


Fig. L

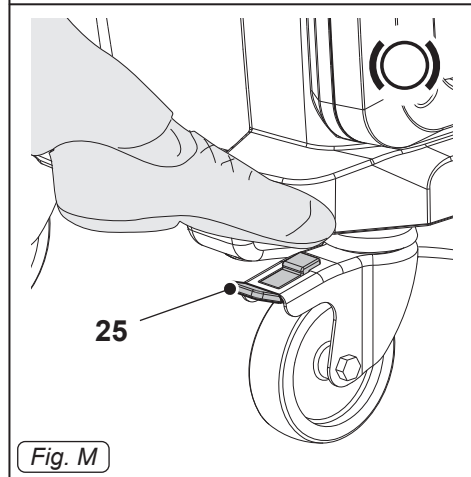


Fig. M

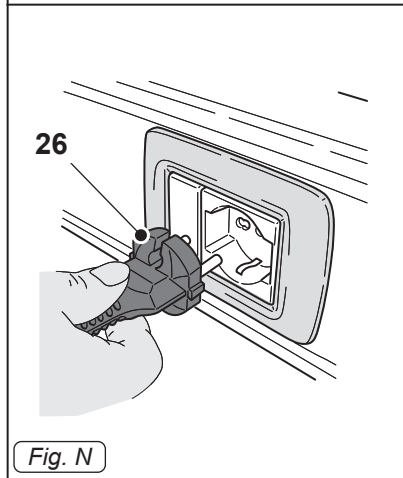


Fig. N

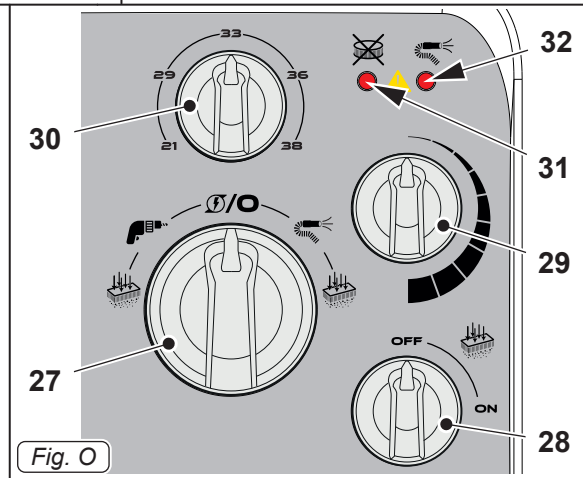
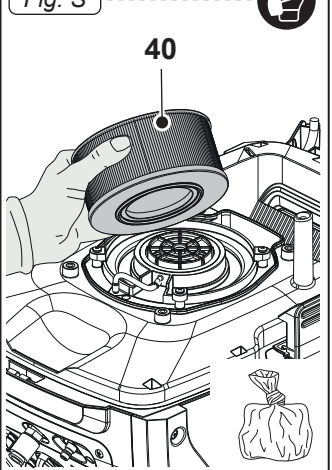
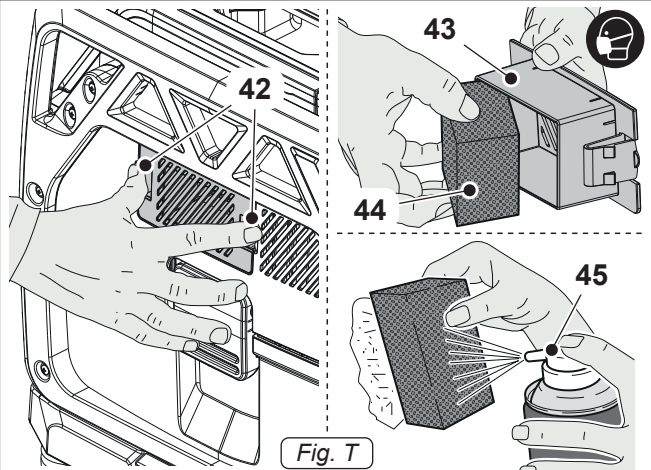
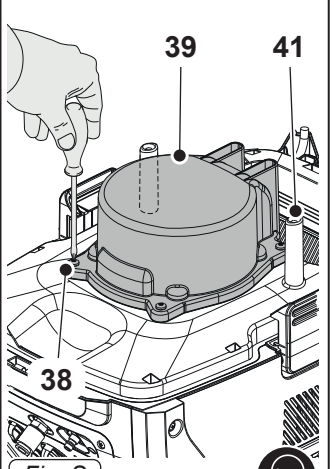
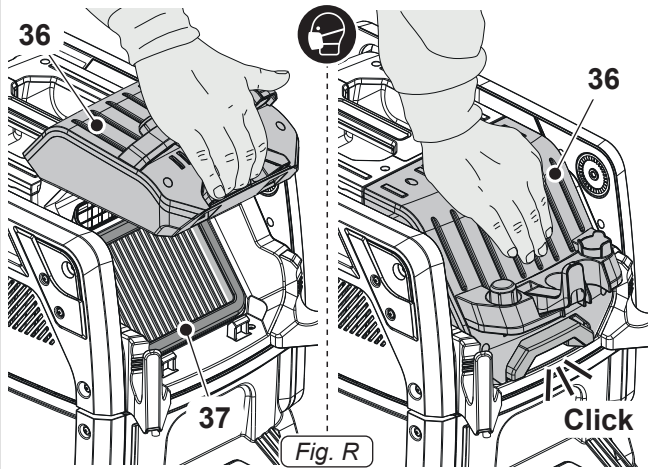
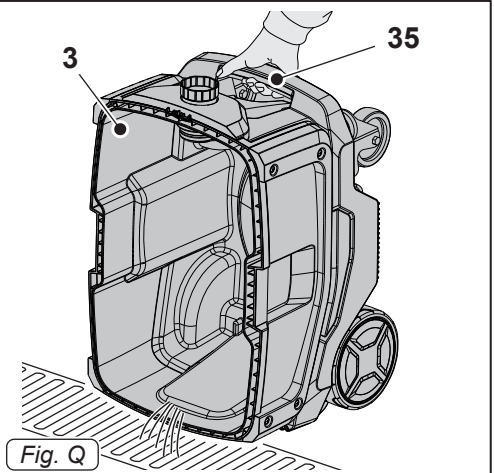
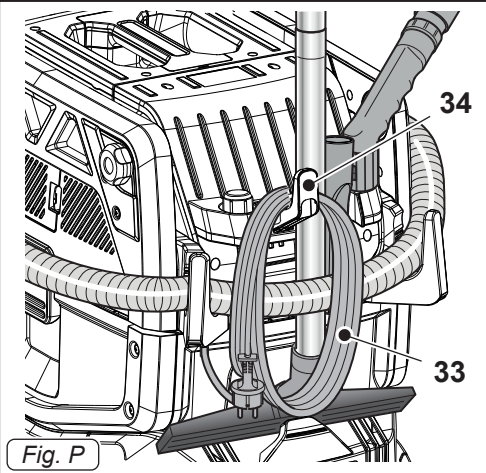


Fig. O





English ..... ENGLISH - 1  
*(Translation of original instructions)*





---

## TABLE OF CONTENTS

---

<b>TECHNICAL DATA .....</b>	<b>2</b>
<b>INTRODUCTION .....</b>	<b>3</b>
<b>TYPE OF USE .....</b>	<b>4</b>
<b>PREPARING THE APPLIANCE .....</b>	<b>5</b>
Vacuum cleaner .....	5
Tools connection .....	5
Liquid suction .....	5
<b>USE OF THE APPLIANCE .....</b>	<b>6</b>
Starting the appliance as a dust suction or liquid suction device .....	6
Switching off the appliance .....	7
<b>CLEANING AND MAINTENANCE .....</b>	<b>7</b>
Fleece dust bag removing and replace (if present).....	8
Waste container emptying .....	8
Main filter checking and clean.....	8
Appliance cleaning.....	8
Class H cartridge filter replacing .....	8
Water level sensors cleaning .....	9
Vacuum motor filter checking and clean .....	9
<b>SPARE PARTS .....</b>	<b>9</b>
<b>TROUBLESHOOTING .....</b>	<b>10</b>

## TECHNICAL DATA

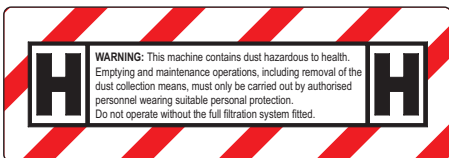
TOOL PRO WDA 40	Class L	Class M	Class H
Dust suction device		■	
Liquid suction device		■	
Voltage - Frequency	220 - 240 V~ 50/60 Hz		
Maximum power (suction)	1350 W		
Nominal power (suction)	1100 W		
Power load electrical socket	2400 W [1700 W (UK) - 1000 W (CH)]		
Total power Σ	3500 W [2800 W (UK) - 2100 W (CH)]		
Sound pressure (LpA)	73,4 dB(A)		
Uncertainty (KpA)	2,5 dB(A)		
Vibration level	< 2,5 m/s <sup>2</sup>		
IP code	IPX4		
Filtering surface of the main filter	0,5 m <sup>2</sup>		
Air flow	76 l/s (273,6 m <sup>3</sup> /h)		
Suction	250 mbar (25.000 Pa)		
Container capacity	41 l		
Useful capacity	26 l		
Useful capacity fleece bag	20 l		
Supply cable length	7 m		
Dimensions (Length x Width x Height)	625 x 385 x 545 mm		
Weight (without accessories)	21 kg		
Suction hose diameter	ø33 mm		
<b>Class M and Class H suction tube diameters</b>	-	ø21 - ø29 - ø33 - ø36 - ø38 mm	
<b>Filtering surface Class H filter</b>	-	-	<b>0,8 m<sup>2</sup></b>



**Class L** - Label present on a machine suitable for vacuuming hazardous dusts with Light Risk to separate the dust with an exposure limit value depending on the occupied volume  $\geq 1$  mg/m<sup>3</sup>.



**Class M** - Label present on a machine suitable for vacuuming hazardous dusts with Medium Risk to separate the dust with an exposure limit value depending on the occupied volume  $\geq 0,1$  mg/m<sup>3</sup>.



**Class H** - Label present on a machine suitable for vacuuming hazardous dusts with High Risk to separate the dust with an exposure limit value depending on the occupied volume  $< 0,1$  mg/m<sup>3</sup>.

## INTRODUCTION



### **DANGER:**

**Before using the machine, carefully read the “SAFETY RECOMMENDATIONS FOR VACUUM CLEANERS” booklet attached to this document and the additions below.**



### **WARNING:**

- The employer must inform, educate and train the user following what is prescribed by the current laws.
- Before working with this machine, prepare and train by carefully reading this manual. Not authorized and not trained people cannot use this machine.
- It is forbidden to aspirate toxic substances, unless the machine is equipped with the special filters necessary for the specific type of dust which must be expressly requested by you scrupulously observing the current national standards.
- Before using the appliance, the operator must be informed and trained to use the machine and about the substances for which the appliance will be used, including the removal and disposal of aspirated material.
- For maintenance, the machine must be disassembled, cleaned and repaired, as far as possible, without causing risks for the maintenance personnel and for others.

The precautions include decontamination before dismantling, the correct ventilation in the rooms in case of the machine disassembling, the maintenance zone cleaning and an appropriate protection of the personnel.

- When performing maintenance or repairs, all contaminated parts that cannot be adequately cleaned must be eliminated; these parts must be placed in impermeable bags according to current regulations on that type of waste.
- The manufacturer, or an educated person, should inspect the appliance at least once a year checking if, for example, the filtering system is intact, if the air flux is correct and if the machine control system works correctly.

Additionally for the filtration system on Class H machines must be tested at least once a year following the instructions in standard 60335-2-69 chap. 22.AA.201.2. If the test fails, the Class H filter must be replaced and retested.

- For the Class M and H, the machine outside will have to be decontaminated using an aspirator, a cloth or be treated with a sealant before taking the machine outside the danger area. All the machines will be considered decontaminated once they have exited from the danger zones and once every action necessary to avoid that the dust is dispersed has been performed.

- For Class M and H, the machine must be thoroughly cleaned before leaving the contaminated zone and transported.
- It is necessary to guarantee an appropriate exchange of air in the room where the machine is used. Please refer to the national standards.

## TYPE OF USE

This appliance has been designed to vacuum liquids or solids or both, according to the technical data table from the introduction to this manual.

Uses different from those listed above are not allowed.

Any use different from the one for which the appliance has been built represents an anomalous condition which could harm the appliance and constitute a serious hazard for the user.

Industrial vacuums and portable dust removers as per TRGS 519 Annex 7 must only be used for the following applications:

- Tasks with low exposure as per TRGS 519 point 2.8 in closed spaces or small-scale work as per TRGS 519 point 2.10.
- Cleaning tasks.

The regulations from TRGS 519 apply for asbestos suction devices in the Federal Republic of Germany.

After using the asbestos suction device in a cordoned off area in the sense of TRGS 519, the asbestos suction device should no longer be used in the so-called white area. Exceptions are possible if the asbestos suction device has first been decontaminated totally by an expert (not only the external cover but also the cooling room, installation room for electrical components, the components themselves, etc.) according to the specifications of TRGS 519 No. 2.7.

This is to be documented and signed by the expert.



### DANGER:

**The manufacturer can not be held responsible for any damage due to improper or incorrect use.**

**Any other use releases the manufacturer from liability for harm to persons and/or property and invalidates any warranty condition.**



### WARNING:

Always use dedicated filters depending on the type of dusts or debris to be vacuumed.



### WARNING:

Do not use the unit for:

- Vacuum hot substances.
- Don't pick up flammable, incandescent, explosive or toxic dust/blends.
- This machine is not suitable for picking up dangerous dust (unless otherwise indicated).
- Do not use the equipment in hazardous environments.
- Do not use the appliance in liquid suction mode to suction powder and vice versa.



### WARNING:

Do not use outdoors.

This appliance must be stored, taking its weight into consideration, on a solid, steady, safe and not sloping plane, indoor and in a dry area.

## PREPARING THE APPLIANCE

### Vacuum cleaner



#### **DANGER:**

For Class M and H vacuum cleaners, use only hoses with a diameter indicated in the table “Technical Data / Class M and Class H suction tube diameters”. Also read the instructions in the paragraph “Suction tube diameter switch”.

For appliances equipped with suitable accessories:

- Release the levers (1 Fig. A) and remove the entire head unit (2 Fig. B).
- Check that the fleece filter bag (4 Fig. C) is inserted in the waste container (3 Fig. C).
- If the fleece filter bag is not present, insert it as follows:  
Slot the fleece filter bag onto the nozzle (5 Fig. C) over the neck (6 Fig. C).  
Arrange the fleece filter bag carefully inside the waste container (3 Fig. B).
- Reassemble the entire head unit (2 Fig. B) and secure it with the levers (1 Fig. A).
- Insert the sleeve (7 Fig. D) of the suction hose into the nozzle (8 Fig. D) on the waste container.  
To release the sleeve (7 Fig. D), turn it slightly and pull it outwards.



#### **NOTE:**

When the nozzle (8 Fig. D) is not in use, close it with the cap (9 Fig. D) provided.

- Screw on the ergonomic handle (11 Fig. E) to connect it to the flexible tube (10 Fig. E).
- Connect the extension (12 Fig. F) to the ergonomic handle (11 Fig. F).
- Join the two rigid extensions (12-13 Fig. G).

- Attach the chosen accessory to the rigid extension (13 Fig. H) (suction nozzle, brush attachment, crevice tool, etc., Fig. H).



#### **NOTE:**

The suction force can be adjusted on the grip, by turning the handle (14 Fig. I).  
Rotate the handgrip over the little window (15 Fig. I) to decrease the suction.



#### **NOTE:**

The reduction sleeve can be installed on the flexible tube (10 Fig. E).

### Tools connection

#### **Power tool connection**

- Lift the cover (16 Fig. J) and connect the power tool plug to the outlet (17 Fig. J) present on the head of the vacuum cleaner [maximum power allowed: 2400 W - 1700 W (UK) - 1000 W (CH)].

#### **Pneumatic tool connection (optional)**

For appliances fitted with relative attachments:

- Connect the hose (18 Fig. J) of the pneumatic tool to the relative fitting (19 Fig. J) present on the head of the vacuum cleaner.
- Connect the pneumatic power supply line (20 Fig. J) to the fitting (21 Fig. J) present on the head of the vacuum cleaner (maximum pressure allowed 10 bar).

### Liquid suction



#### **WARNING:**

Risk of electric shock!

In the event of foam or liquid leakage, switch off the apparatus immediately. Empty the recovery tank and clean the filters as described in the relevant paragraphs.

**NOTE:**

Clean the water level sensors regularly and check the state of wear as described in the relevant paragraph.

For appliances equipped with suitable accessories:

- Release the levers (1 Fig. A) and remove the entire head unit (2 Fig. B).
- Remove the fleece bag (4 Fig. C) if present.
- Reassemble the entire head unit (2 Fig. B) and secure it with the levers (1 Fig. A).
- Insert the sleeve (7 Fig. D) of the suction hose into the nozzle (8 Fig. D) on the waste container.  
To release the sleeve (7 Fig. D), turn it slightly and pull it outwards.
- Connect the ergonomic handle by screwing it on (11 Fig. E) to the flexible tube (10 Fig. E).
- Join the ergonomic handle (11 Fig. F) to the extension (12 Fig. F).
- Join the two rigid extensions (12-13 Fig. G).
- Attach the chosen accessory to the rigid extension (13 Fig. H) (suction nozzle, floor tool, etc. Fig. H).




**USE OF THE APPLIANCE**

- The device is fitted with wheels and can be easily moved using the ergonomic handle on the head or pushed using the handle (22 Fig. K, optional).
- If included, loosen the knobs (23 Fig. L) and turn the handle (22 Fig. K, optional), then secure it in the desired position using the knobs (23 Fig. L).
- To lift the appliance, use the ergonomic handle (24 Fig. K) on the head.
- To block the device, use the brake control (25 Fig. M) on the castor wheels.




**Starting the appliance as a dust suction or liquid suction device**

- Insert the main plug (26 Fig. N) into the electrical socket.

**Main power switch (27 Fig. O)**



- Turned to "":  
The socket for the electrical tool (17 Fig. J) is undercurrent and the suction unit is switched off.
- Turned to "":  
The suction unit is always started.
- Turned to "":  
The suction unit is started when the tool connected is started.



- Turned to "":  
When combined with the automated filter cleaning switch (28 Fig. O) on "ON", the intensive filter cleaning is started (3 blasts and maximum suction power).  
When released, the main power switch returns to "" or "".

**"NONSTOPVAC!" filter cleaning switch (28 Fig. O)**

The machine features a filter cleaning system called "NONSTOPVAC!". When started, an automated cleaning cycle is run when operating to ensure the best suction and filtering performance.

- When turned to "ON" and combined with the main power switch (27 Fig. O) on "" or "", the automated filter cleaning system starts (3 blasts at the start, then 1 blast every 12 sec.).
- When turned on "OFF", the function is disabled.

**WARNING:**

When the device is used as a wet vacuum cleaner, keep the filter cleaning switch (28 Fig. O) on "OFF".

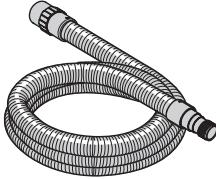
### **Suction power adjustment switch (29 Fig. O)**

- Turn the switch to increase or decrease the suction power.

### **Suction tube diameter switch (30 Fig. O)**

Only for Class M and H devices:

To ensure the correct air suction speed, turn the switch to the same value as the diameter of the flexible tube used.

<b>21</b>	ø21	
<b>29</b>	ø29	
<b>33</b>	ø33	
<b>36</b>	ø36	
<b>38</b>	ø38	



#### **NOTE:**


When the bag or the waste container is full, there is an increase in noise and the appliance no longer sucks.

In case of use as a wet vacuum cleaner, when the container is full, the vacuum motor stops.

Then turn off the appliance and empty the container as described in the relevant paragraph.


### **Cartridge filter LED warning light (31 Fig. O)**

Only for Class H devices:

- If the LED  is flashing, refer to the "Troubleshooting" chapter to identify and solve the problems.

### **Suction unit LED warning light (32 Fig. O)**

Only for Class M and H devices:

- If the LED  flashes, it means that the air speed in the tube is  $\leq 20$  m/s.
- For safety reasons, an acoustic warning signal sounds if the air speed in the suction hose falls below 20 m/s (dust class M and H only).

- The table on the mobile dust extractor explains this connection for the minimum required extraction volume of the respective hose diameter. If this extraction volume is not reached, a warning signal sounds.

Max ø (mm)	Flow min (m <sup>3</sup> /h)
<b>21</b>	25
<b>29</b>	48
<b>33</b>	62
<b>36</b>	73
<b>38</b>	100

- Refer also to the "Troubleshooting" chapter to identify and solve the problems.

### **Switching off the appliance**

- Turn the main power switch (27 Fig. O) to "⏻/⏻" to switch the device off.
- (If used) disconnect the plug of the electrical tool socket (17 Fig. J).
- Disconnect the main plug (26 Fig. N) from the power socket.
- Roll up the cable (33 Fig. P) and store it on the hook (34 Fig. P).



#### **NOTE:**

Dismantle the accessories (extensions, brushes, etc.) and store them in the special slots on the rear side as shown in Fig. P.

## **CLEANING AND MAINTENANCE**



### **DANGER:**

**Before performing any maintenance operation, unplug the appliance from the electrical socket.**

**DANGER:**

These operations can be performed, in accordance with the current laws, only by specialized and trained personnel, while wearing the necessary safety clothing. In any case, always refer to the current national standards and laws.

**WARNING:**

Industrial vacuum cleaners/dedusters must be maintained as needed, but at least once per year, repaired as necessary and checked by a skilled expert (qualified as per TRGS 519 Nr. 5.3, paragraph 2).

The test result must be presented upon request.

**Fleece filter bag removing and replace (if present)**

- Release the levers (1 Fig. A) and remove the entire head unit (2 Fig. B).
- Remove the fleece filter bag (4 Fig. C) and dispose of it in compliance with the provisions of the law.
- Replace the fleece filter bag as indicated above.
- Reassemble all parts in reverse order of disassembly.

**Waste container emptying**

- Release the levers (1 Fig. A) and remove the entire head unit (2 Fig. B).
- Place the vacuum cleaner over a drain and then lift the waste container (3 Fig. Q) using the handle provided (35 Fig. Q) until it is completely empty.
- Clean the waste container inside (3 Fig. Q) with clean water and dry with a clean cloth.
- Reassemble all parts in reverse order of disassembly.

**Daily cleaning****Main filter checking and clean**

- Raise the rear door (36 Fig. R) using the lever.
- Remove the main filter (37 Fig. R).
- Clean the filter (37 Fig. R) with a jet of air from the inside outwards; the filter can be washed with warm water and reassembled only when completely dry. Replace it if it is very dirty and worn.
- Put the filter back (37 Fig. R) in its slot.
- Close the rear door (36 Fig. R).

**Appliance cleaning**

- Clean the unit body with a cloth dampened with water or a mild detergent.
- Remove the complete head unit and clean the waste container with running water and then empty it, as indicated above.
- Reassemble everything in reverse order of disassembly.

**DANGER:**

**Do not wash the appliance using jets of water.**

**Periodic checks****Class H cartridge filter replacing****DANGER:**

**The dust that has been collected should be transported in dust-proof containers. No refilling is permitted. The waste containing asbestos is to be disposed off according to the rules and regulations for waste disposal.**

- Release the levers (1 Fig. A) and remove the entire head unit (2 Fig. B).
- Turn the entire head unit upside down.
- Unscrew the four screws (38 Fig. S) and remove the filter cover (39 Fig. S).



- Remove the cartridge filter (40 Fig. S) and dispose of it in compliance with the provisions of the law.
- Replace the cartridge filter.
- Reassemble all parts in reverse order of disassembly.



**WARNING:**

The debris on the filter and the filter itself must be disposed following the standards of the country where the vacuum is being used.

**Water level sensors cleaning**

- Release the levers (1 Fig. A) and remove the entire head unit (2 Fig. B).
- Turn the entire head unit upside down.
- Clean the water level sensors (41 Fig. S) and check the state of wear.
- Reassemble all parts in reverse order of disassembly.

**Vacuum motor filter checking and clean**

- Release the two catches (42 Fig. T) and remove the cover (43 Fig. T).
- Remove the sponge filter (44 Fig. T)
- Clean the sponge with a jet of air (45 Fig. T).







The sponge filter can be washed in warm water and must only be replaced once they are completely dry; if too dirty, replace it with new one.



- Reassemble everything in reverse order of disassembly.

**SPARE PARTS**

Code	Description	M Class	H Class
2512772	Main panel filter Class M	■	■
6895010	Cartridge filter Class H		■
6010530	Flexible hose D.33 Mt.4 AS	■	■
6010531	Flexible hose D.29 Mt.4 AS	■	■
6010533	Flexible hose D.33 Mt.4 STD	■	■
6010536	Flexible hose D.38 Mt.4 STD	■	■

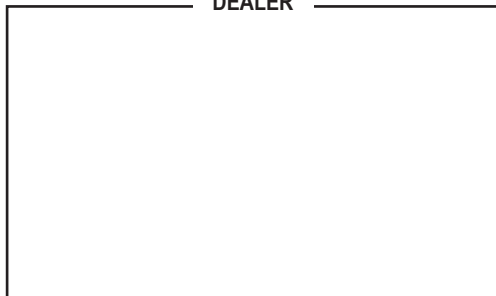
## TROUBLESHOOTING

PROBLEM	CAUSE	SOLUTION
The suction motor does not start and does not work. (For Class M and H versions) The filter  and suction  LEDs are off.	Plug not inserted.	Insert the plug into the electrical socket.
	No current.	Check the power supply line.
	Suction motor overheated.	Check that the motor is working correctly.
	Suction motor damaged.	Replace the motor. (*)
Suction is poor. (For Class M and H versions) The suction LED  flashes and the acoustic warning is sounded; Air speed in the tube ≤ 20 m/s.	Suction tube diameter switch not combined with the flexible tube used.	Turn the switch to the correct diameter of the flexible tube used.
	Waste container full.	Empty container.
	Fleece bag full.	Replace the dust bag.
	Filter elements clogged.	Clean the filter components.
		Clean or replace the cartridge filter.
	Accessories or tubes clogged.	Check and clean the flexible tube and the suction nozzle.
	Damaged vacuum motor.	Replace the motor. (*)
Suction nozzle squeegee worn or damaged.	Check and replace the squeegee.	
(For Class H version) The suction is poor, the filter LED  is flashing and the acoustic warning is sounded.	No cartridge filter.	Install the filter.
	Cartridge filter clogged or damaged.	Clean or replace the filter.
The suction motor stops. (For Class M and H versions) The filter  and suction  LEDs are turned on and the acoustic warning is sounding.	Use as dry vacuum cleaner: Suction motor overheated.	Wait a few minutes for the suction motor to cool down.
		Check and clean all the parts that could compromise correct suction.
		Checks the ventilation grilles for suction motor cooling.

PROBLEM	CAUSE	SOLUTION
The suction motor stops. (For Class M and H versions) The filter  and suction  LEDs flash simultaneously and the acoustic warning is sounded.	Use as wet vacuum cleaner: Waste container full.	Empty container.

(\*) Maintenance by a authorized service centre.

DEALER



Cod. 8060044 - 2<sup>a</sup> ed. - 09/2023

## GHIBLI & WIRBEL S.p.A.

Registered office:

Via Enrico Fermi, 43 - 37136 Verona (VR) - Italy

Headquarters:

Via Circonvallazione, 5 - 27020 Dorno (PV) - Italy

P. +39.0382.848811 - F. +39.0382.84668 - M. info@ghibliwirbel.com

[www.ghibliwirbel.com](http://www.ghibliwirbel.com)

100% MADE IN ITALY



ISO 9001

